

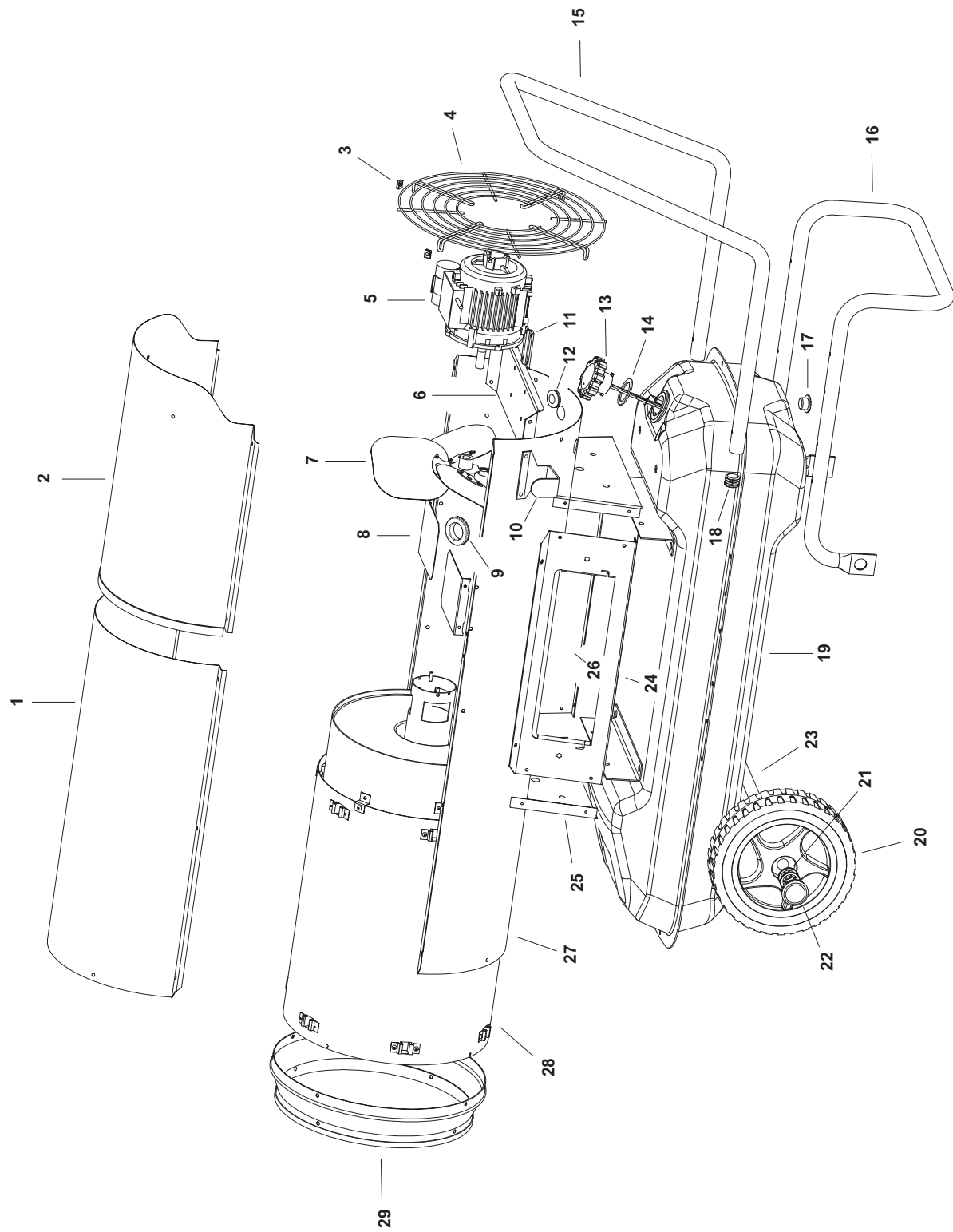
B 230 2011 MODEL

UNIT 1

ILLUSTRATED PARTS BREAKDOWN

From Serial Number: 30204517

Edizione 2011
Rev. A



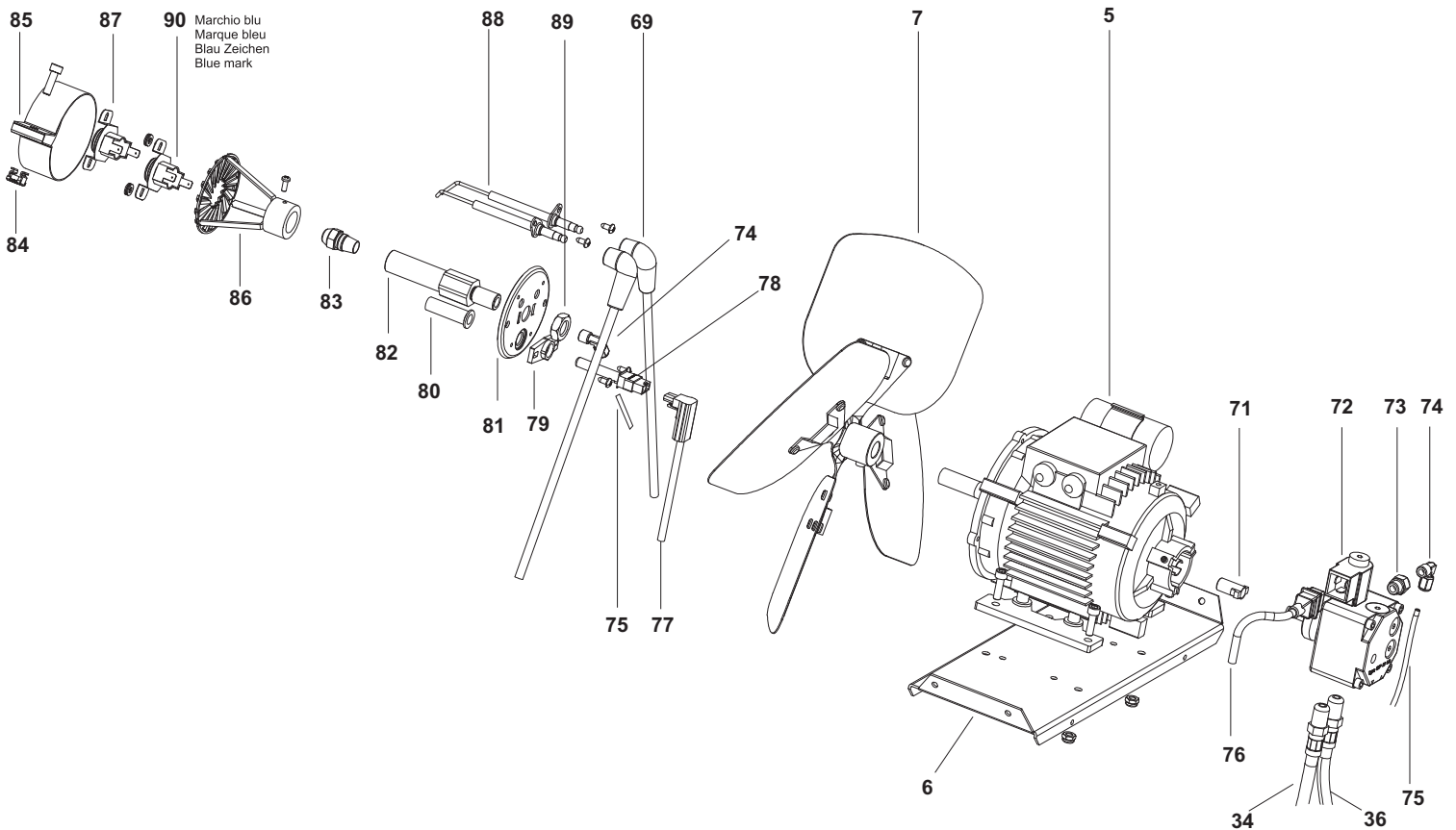
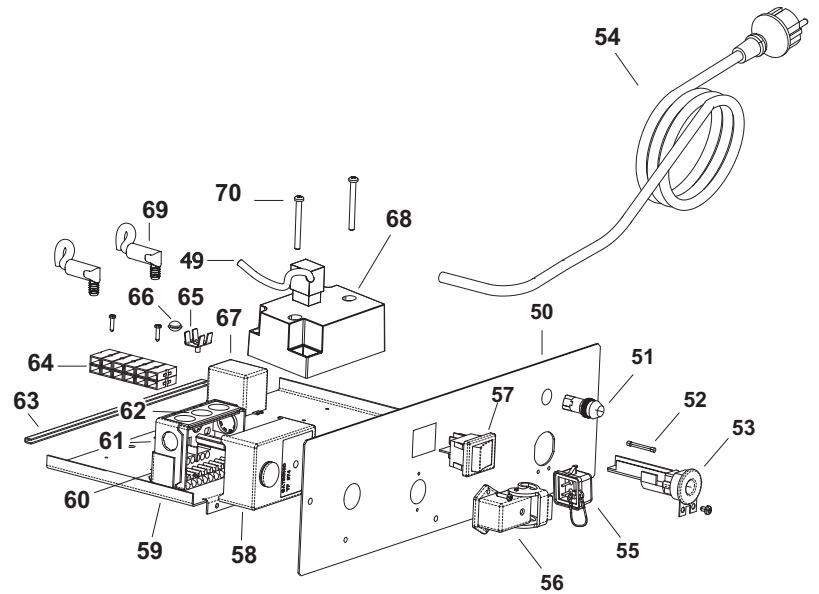
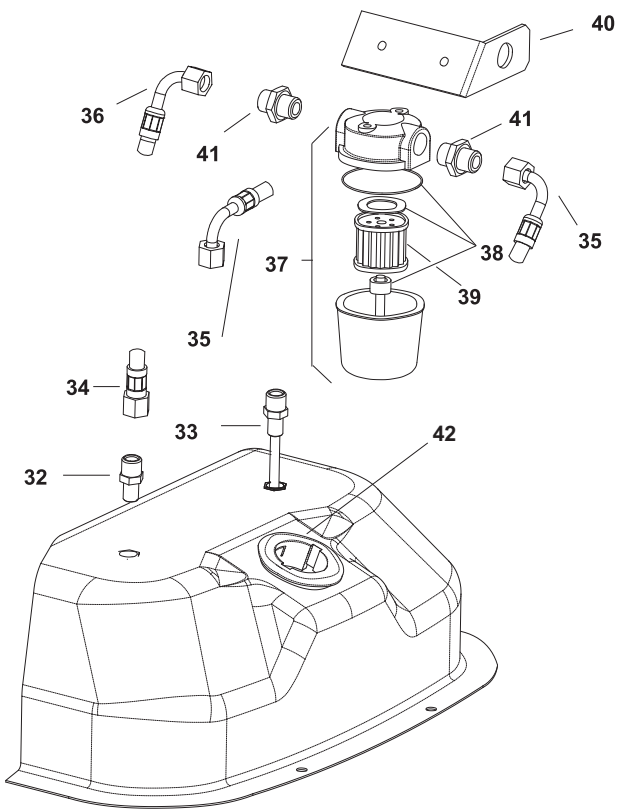
B 230 2011 MODEL

UNIT 2

ILLUSTRATED PARTS BREAKDOWN

From Serial Number: 30204517

Edizione 2011
Rev. A



Pos.	Code NR	Description
1	4111.623	UPPER BODY
2	4032.548	UPPER BODY MOBILE
3	4111.241	ELASTIC PLATE
4	4032.557	INLET GRILLE
5	4032.702	MOTOR 2P 230V/50 IP44
6	4032.555	MOTOR FLANGE SUPPORT
7	4111.689	FAN
8	4032.554	AIR FLAP
9	4111.056	PROTECTION CABLE
10	4032.536	POWER CORD HOOK
11	4032.519	MOTOR FLANGE
12	4160.646	PROTECTION CABLE
13	4032.475	FUEL LEVEL PROBE
14	4032.537	TANK PLUG SEAL
15	4032.568	HANDLE FRAME
16	4032.564	WHEEL FRAME
17	4100.632	DRAIN PLUG
18	4111.057	PLUG
19	4032.543	FUEL TANK
20	4032.094	WHEEL
21	4111.072	WHEEL PLUG
22	4111.480	WHEEL HOLDER
23	4032.566	AXLE
24	4032.558	ELECTR. COMPONENTS DRAWER PANEL
25	4033.095	BASE
26	4032.560	SIDE PANEL
27	4111.625	LOWER BODY
28	4033.110	COMBUSTION CHAMBER
29	4032.544	OUTLET CONE
32	4031.068	NIPPLES
33	4031.067	PIPE CONNECTION 1/4"
34	4031.062	FUEL PIPE PUMP-TANK
35	4031.063	FUEL PIPE TANK-FILTER
36	4031.061	FUEL PIPE FILTER-PUMP
37	4031.070	FILTER WITH CARTIDGE 3/8"
38	4111.116	OR KIT FILTER
39	4031.015	FILTER CARTIDGE
40	4032.437	FILTER SUPPORT
41	4031.064	DOUBLE SCREW
42	4032.472	NECK PLASTIC FILLER
49	4110.491	TRANSFORMER POWER CORD
50	4032.446	ELECTRIC. COMPONENTS DRAWER
51	4117.058	PILOT LAMP

Pos.	Code NR	Description
52	4111.040	FUSE (6,3x32) 10 A
53	4111.038	CABLE FASTENER
54	4111.153	POWER CORD
55	4162.467	CAP FOR THERMOSTAT SOCKET
56	4111.119	THERMOSTAT SOCKET
57	4160.637	SWITCH 16A
58	4110.968	CONTROL BOX SATRONIC
59	4032.448	ELECTR. COMPONENTS BASE
60	4032.499	CONTROL BOX SUPPORT
61	4110.969	CONTROL BOX BASE
62	4110.967	PG PLATE
63	4110.155	EDGE LINER
64	4111.033	TERMINAL BOARD
65	4160.639	POP RIVET WITH TERMIN. 4 WAY
66	4032.450	PLASTIC PIN
67	4111.032	RELAY FINDER
68	4031.541	TRANSFORMER
69	4110.490	H.T. CABLE
70	4160.421	SCREW
71	4111.081	COUPLING SIMEL
72	4111.042	PUMP DANFOSS
73	4161.501	CONN. STRAIGHT 1/8"
74	4161.140	ELBOW 1/8"
75	4111.049	OIL SUPPLY PIPE
76	4033.087	POWER PUMP CORD
77	4110.970	PHOTOCELL CONN.CABLE
78	4110.966	PHOTOCELL
79	4111.076	PHOTOCELL BLOCK BRACKET
80	4032.406	PHOTOCELL SUPPORT
81	4032.574	BURNER FLANGE
82	4032.403	NOZZLE SUPPORT
83	4031.027	NOZZLE 1,25 GPH 80° H
84	4032.454	M6 NUT
85	4032.545	AIR REGULATION FLAP
86	4033.071	TURBO DISC
87	4031.045	FAN THERMOSTAT
88	4033.057	ELECTRODE
89	4032.407	NUT M14
90	4031.047	LIMIT THERMOSTAT