

1106307

KOINE 3.1 230V 50HZ

3238742_1106307_R00W - R00W (9/2/2022)



Access Platform Division

Via San Francesco d'Assisi, 8 - 46020 Pegognaga (Mantova) - ITALY Tel. +39 0376
554011 - Fax +39 0376 559855

www.imergroup.com

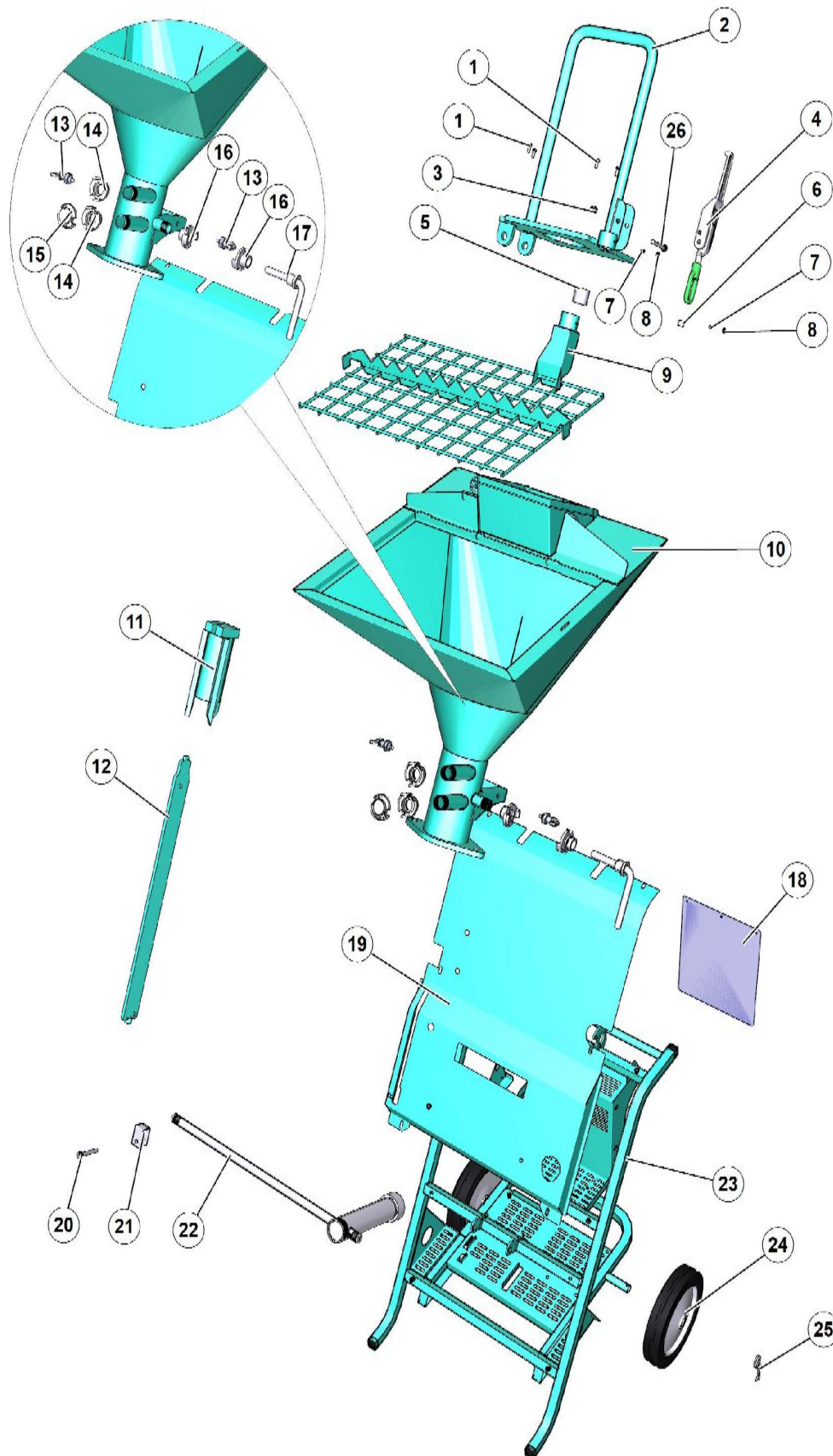
Building Equipment Division

Via della Meccanica, 39 (Zona Industriale Sentino) - 53040 Rapolano Terme
(Siena) - ITALY - Tel. +39 0577 97341 - Fax +39 0577 704077

www.imergroup.com

www.imerglobalcustomercare.com

FRAME



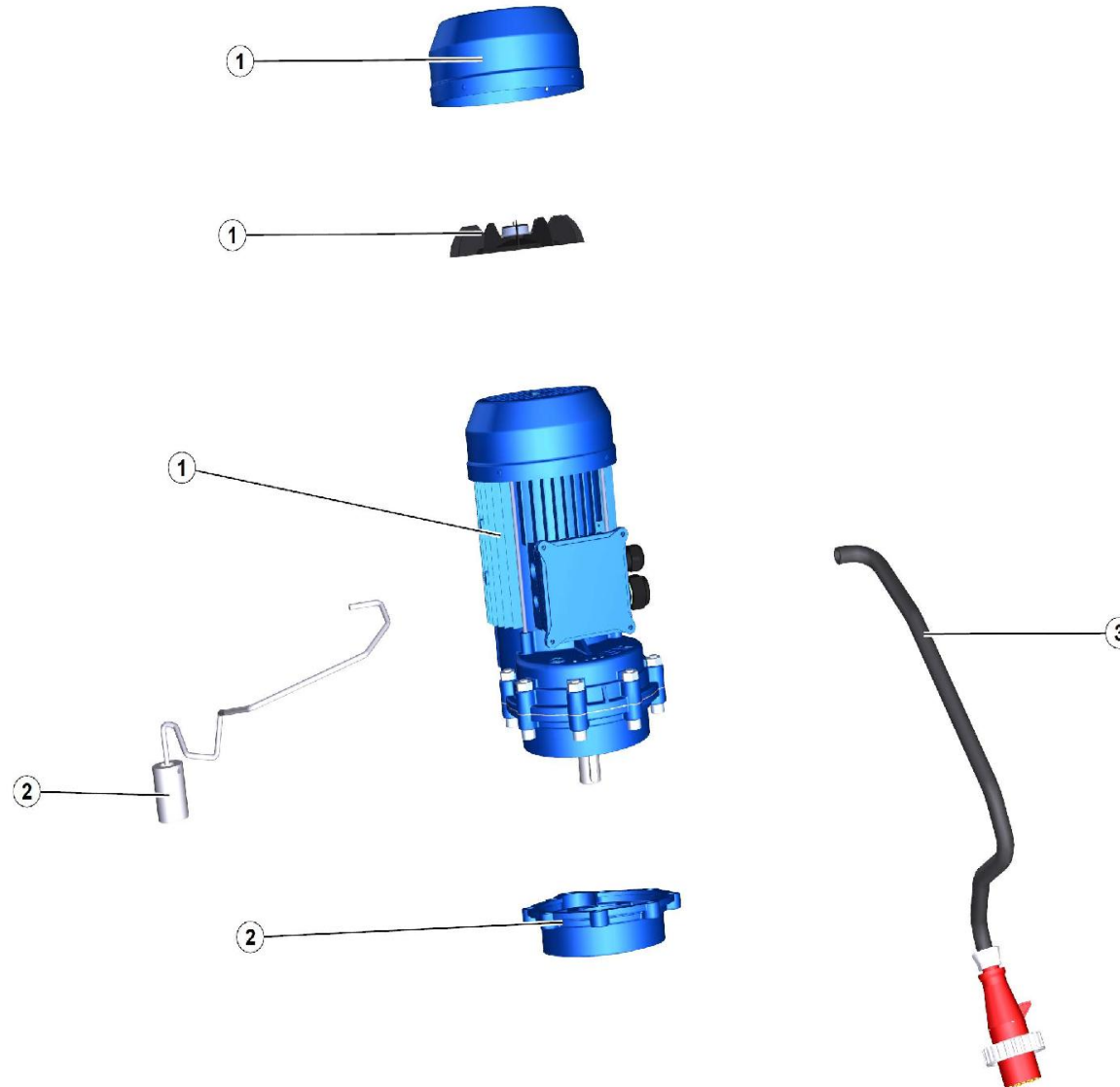


N.	CODE	DESCRIPTION	UM	QTY
1	3292381	3292381 BOLT		4
2	3238706	MOTOR SUPPORT		1
3	2223923	LOCK NUT	PZ	4
4	3223717	CLOSING HANDLE	PZ	1
5	3224243	BUSHING	PZ	1
6	3224238	MAGNET	PZ	1
7	3225175	SCREW	PZ	2
8	2223352	NUT	PZ	2
9	3238699	KOINE 3.1 MESH		1
10	3238717	DRUM		1
11	3223349	SCRAPER	PZ	1
12	3238695	SCRAPER	PZ	1
13	3238694	PISTON WITH LEVER MX1.5 D8		2
14	3223428	QUICK CONNECTOR	PZ	2
15	3223429	CAP	PZ	1
16	3223636	QUICK CONNECTOR	PZ	2
17	3225827	CAP	PZ	1
18	3225861	PROTECTION	PZ	1
19	3238698	SHEET		1
20	2222176	SCREW	PZ	1
21	3238835	SHEET		1



N.	CODE	DESCRIPTION	UM	QTY
22	3223354	WRENCH	PZ	1
23	3238660	FRAME		1
24	2211100	WHEEL	PZ	2
25	2226715	SPLIT PIN	PZ	2
26	2222072	SCREW	PZ	1

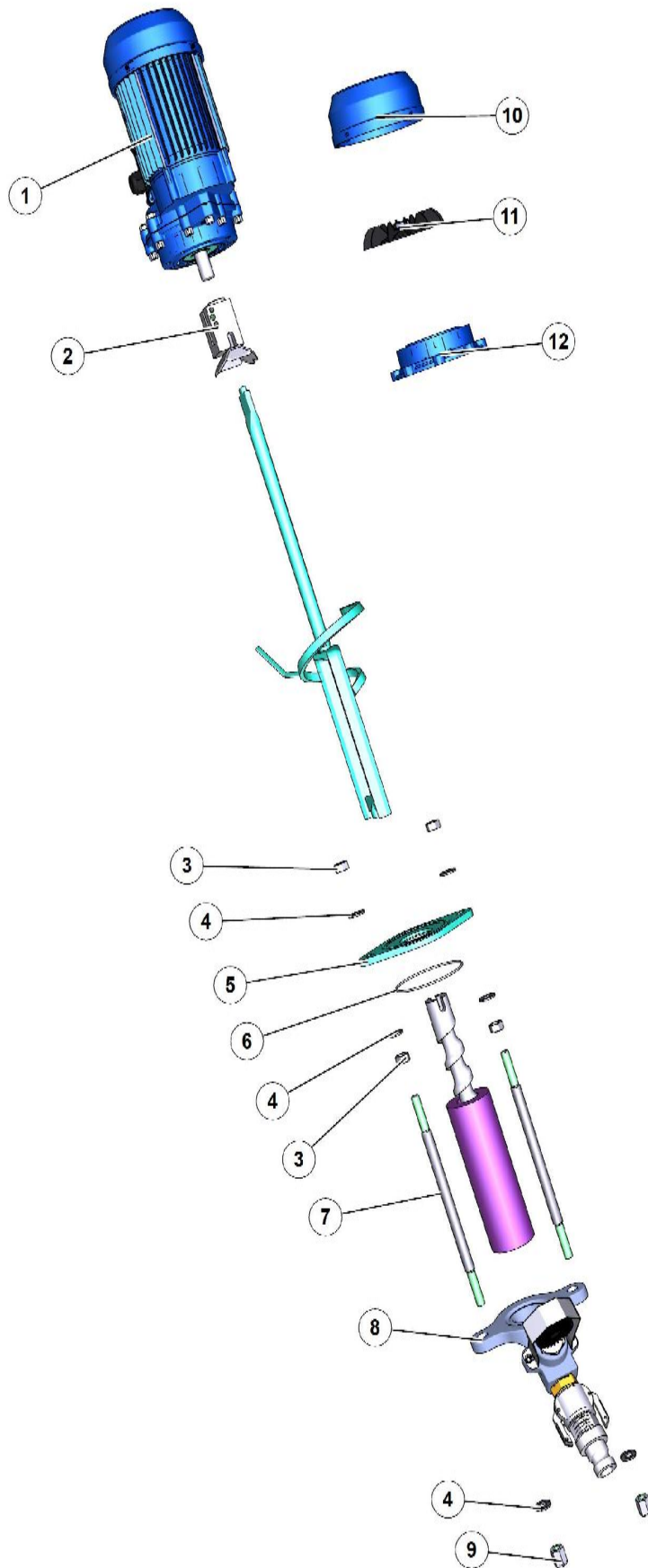
ELECTRIC GEARMOTOR





N.	CODE	DESCRIPTION	UM	QTY
1	3228423	GEARMOTOR	PZ	2
2	3226120	SENSOR	PZ	1
3	3238745	MOTOR CABLE		1
4	3228437	COVER		1
5	3234265	MOTOR FAN/C350 I POWER	PZ	1
6	2291266	FAN COVER		1

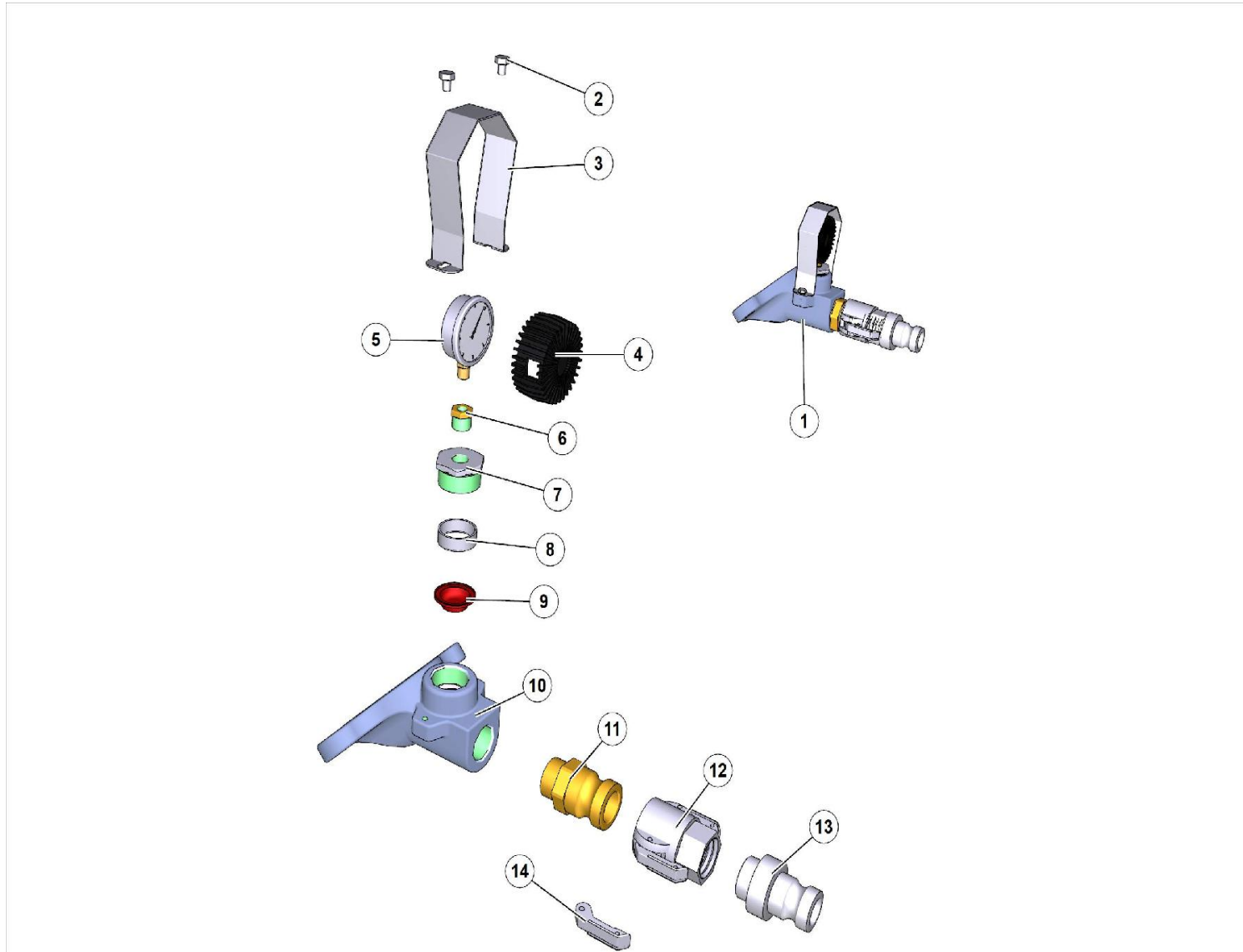
MIXING CHAMBER





N.	CODE	DESCRIPTION	UM	QTY
1	3228423	GEARMOTOR	PZ	2
2	3223352	TERMINAL	PZ	1
3	2223806	NUT	PZ	4
4	2224640	WASHER	PZ	6
5	3238715	SCREW FLANGE		1
6	3224356	RING/MORTAR PUMP	PZ	1
7	3238316	TIE-ROD		2
8	3239023	COLLECTOR GROUP OUTPUT KOINE 3.1		1
9	3224395	NUT M.16	PZ	2
10	2291266	FAN COVER		1
11	3234265	MOTOR FAN/C350 I POWER	PZ	1
12	3228437	COVER		1

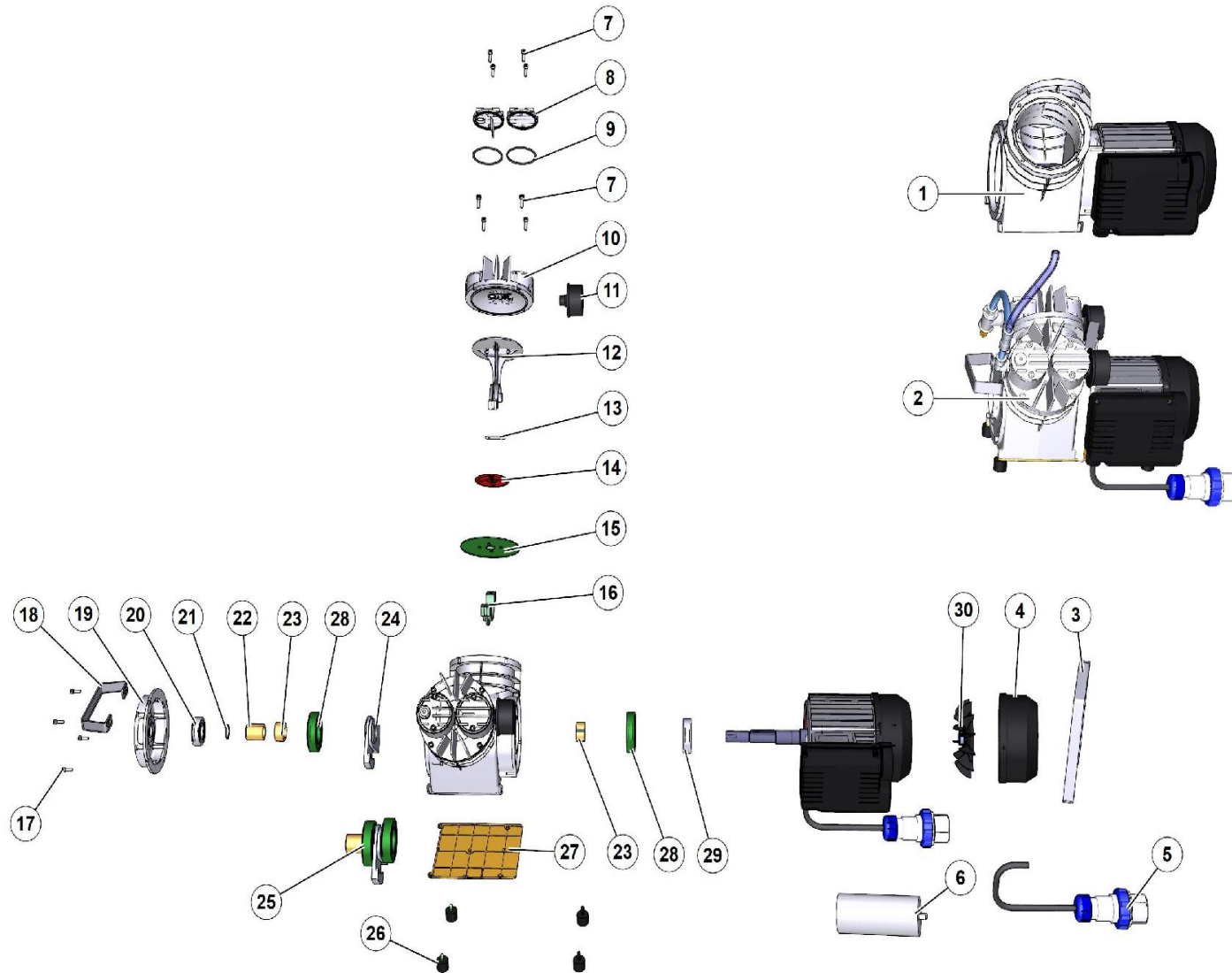
MANIFOLD





N.	CODE	DESCRIPTION	UM	QTY
1	3239023	COLLECTOR GROUP OUTPUT KOINE 3.1		1
2	2222015	SCREW	PZ	2
3	3223389	GUARD	PZ	1
4	3223690	COVER	PZ	1
5	3223689	MANOMETER/SCREW PUMP	PZ	1
6	3223609	REDUCER	PZ	1
7	3224173	REDUCTION	PZ	1
8	3223391	SPACER	PZ	1
9	3223392	MANOMETER'S MEMBRANE/MORTAR PUMP	PZ	1
10	3226705	FLANGE		1
11	3223703	'CAM CONNECTION DN35 M-1 "1/4" G M'	PZ	1
12	3223704	CAMLOCK COUPLING DN35	PZ	1
13	3223390	CAMLOCK COUPLING	PZ	1
14	3224498	HANDLE/MORTAR PUMP	PZ	2

COMPRESSOR



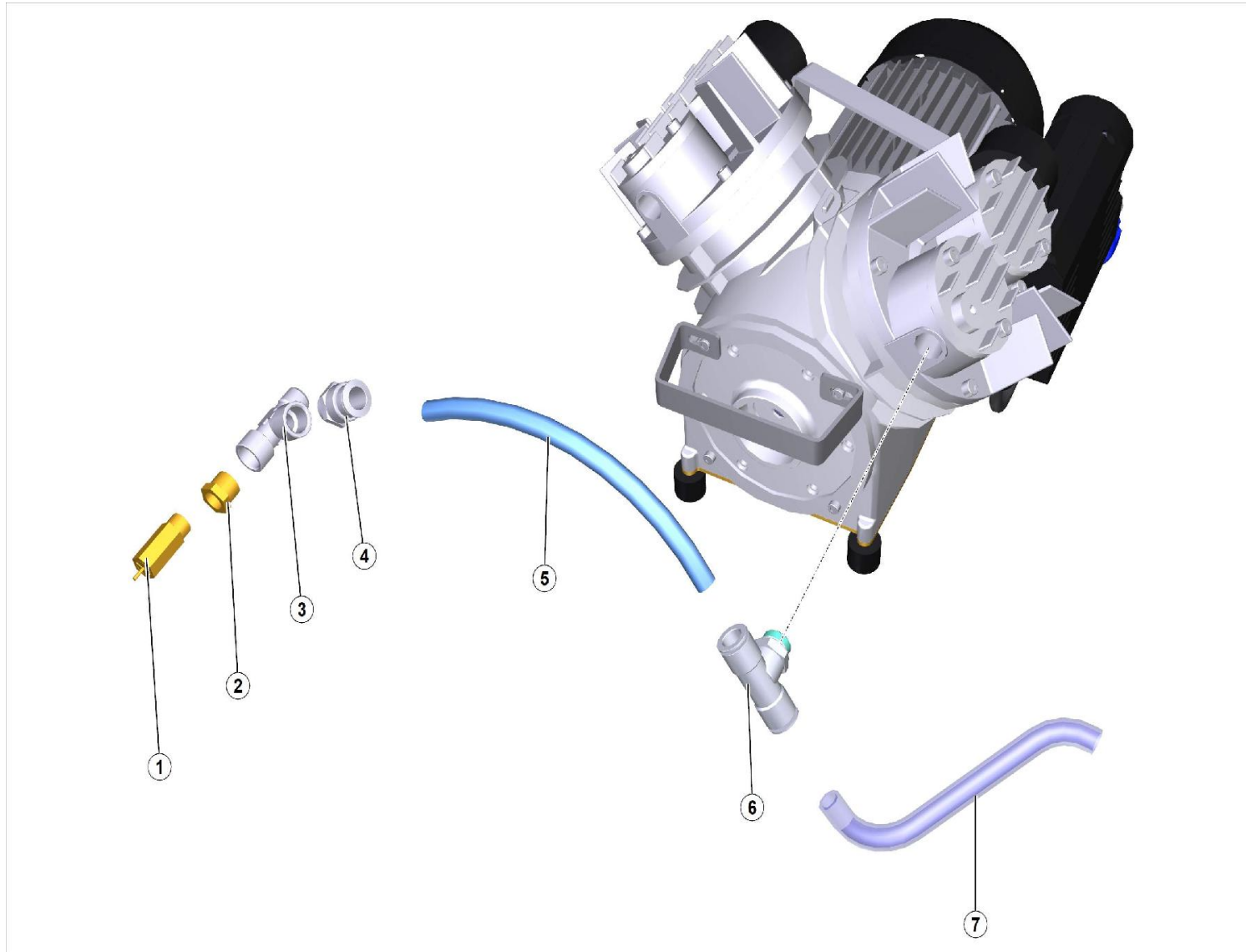


N.	CODE	DESCRIPTION	UM	QTY
1	3228021	CARDBOARD BOX	PZ	1
2	3238730	COMPRESSOR IM250 230V-50HZ KW0.75 K.3.1		1
3	3224876	HANDLE		1
4	3226533	FAN COVER/SCREW PUMP	PZ	1
5	3239092	CABLE		1
6	3226183	CAPACITOR/MORTAR PUMP	PZ	1
7	3225074	SCREW	PZ	16
8	3224533	RH CAP	PZ	4
9	3228399	O-RING 165 D61.92X3.53		4
10	3224532	HEAD	PZ	2
11	3224844	AIR-FILTER/SCREW PUMP	PZ	2
12	3224529	CONROD	PZ	2
13	3224548	COMPRESSOR'S PLATE	PZ	2
14	3224531	MEMBRANE RETAINER/SCREW PUMP	PZ	2
15	3224539	COMPRESSOR MEMBRANE/SCREW PUMP	PZ	2
16	3224530	CONROD HEAD	PZ	2
17	3224872	SCREW TCEI 5931 5X 16 A2 INOX	PZ	4
18	3238733	HANDLE		1
19	3224536	COVER	PZ	1
20	3224859	BEARING 6304 2RSH - CM	PZ	1
21	3227154	RING	PZ	2



N.	CODE	DESCRIPTION	UM	QTY
22	3224332	SPACER	PZ	1
23	3226967	BUSH	PZ	2
24	3226966	ECCENTRIC BARBELL	PZ	1
25	3224300	CAM/SCREW PUMP	PZ	1
26	3227825	SCHOCK ABORBER	PZ	4
27	3224537	COMPRESSOR PLATE	PZ	1
28	3224860	BEARING 6207 2RS1 - CM	PZ	2
29	3224763	BEARING 6305 2RS1	PZ	1
30	3226532	COMPRESSOR FAN IM250 \$2291453	PZ	1

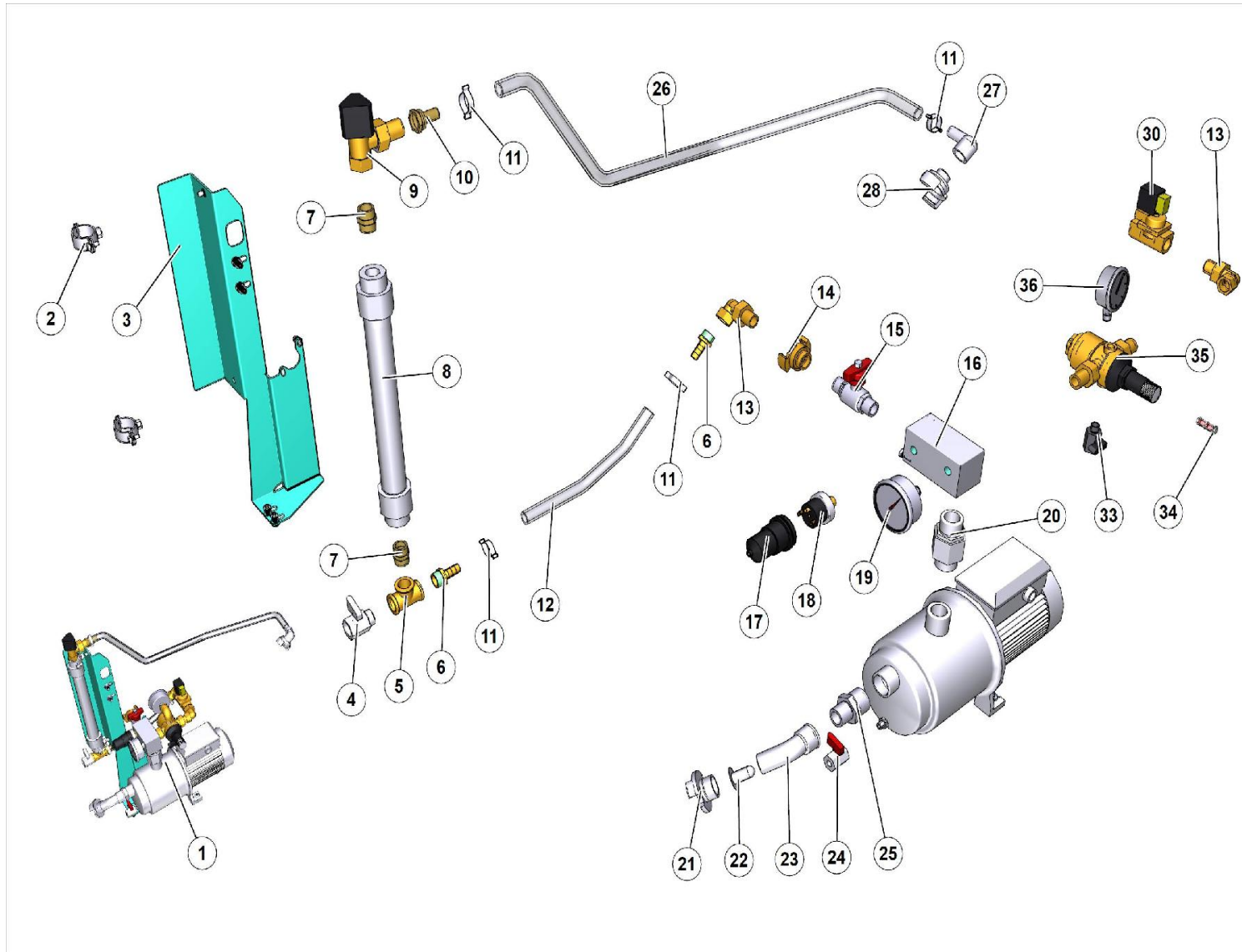
COMPRESSOR FITTINGS





N.	CODE	DESCRIPTION	UM	QTY
1	3224593	SECURITY VALVE/SCREW PUMP	PZ	1
2	3229717	REDUCER	PZ	1
3	3239025	CONNECTOR		1
4	3239026	CONNECTOR		1
5	3238848	HOSE RILSAN 12/10 L300		1
6	3238323	CONNECTOR		1
7	3238840	HOSE RILSAN 12/10 L400		1

WATER PLANT



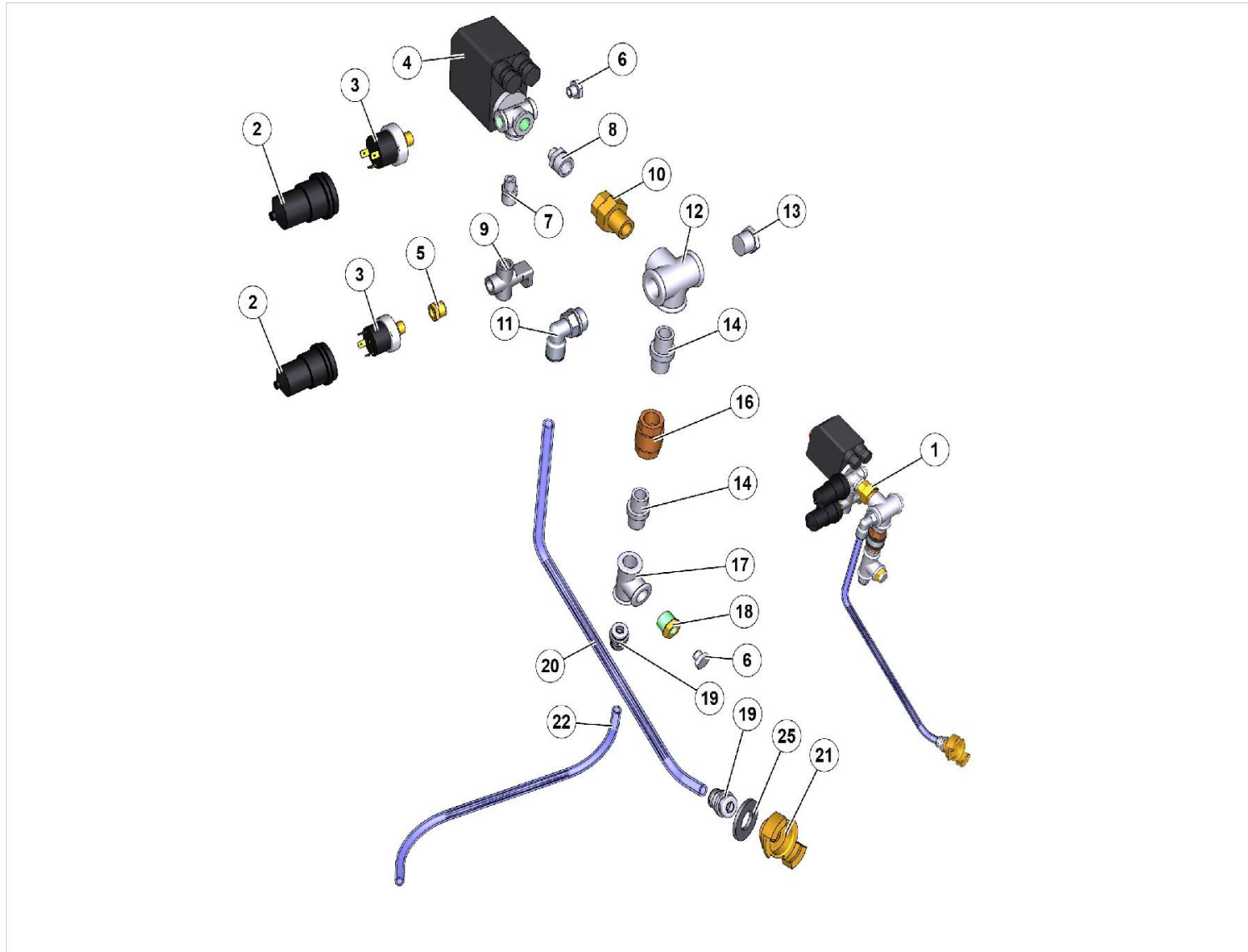


N.	CODE	DESCRIPTION	UM	QTY
1	3238685	WATER SYSTEM KOINE 3.1 230V 50HZ		1
2	3224352	'COLLAR 1" '	PZ	2
3	3238688	SHEET		1
4	3223622	VALVE	PZ	1
5	3223617	CONNECTOR	PZ	1
6	3223613	HOSE CLAMP/SCREW PUMP	PZ	2
7	3223607	NIPPLE	PZ	2
8	3223633	FLOW METER	PZ	1
9	3223627	VALVE	PZ	1
10	3224169	HOSE FITTING	PZ	1
11	3223638	RING CLIP	PZ	4
12	3238686	WATER PIPE DIAM. 13 15BAR L 30 CM		1
13	3223637	ELBOW FITTING	PZ	2
14	3224382	QUICK COUPLING	PZ	1
15	3238333	VALVE		1
16	3238687	DISTRIBUTOR BLOCK		1
17	3226173	RUBBER HOOD FOR PRESSURE SWITCH	PZ	1
18	3223630	WATER PRESSURE SWITCH	PZ	1
19	3223625	PRESSURE GAUGE/MORTAR PUMP	PZ	2
20	3238346	FITTING		1
21	3223636	QUICK CONNECTOR	PZ	1



N.	CODE	DESCRIPTION	UM	QTY
22	3223639	WATER FILTER/MORTAR PUMP	PZ	1
23	3224171	45° BEND	PZ	1
24	3223620	VALVE	PZ	1
25	3224170	NIPPLE	PZ	1
26	3224579	WATER HOSE	PZ	1
27	3224580	HOSE CONNECTOR	PZ	1
28	3224203	RAPID FIXATION/SCREW PUMP	PZ	1
30	3228388	SOLENOID VALVE	PZ	1
33	3224206	BALL VALVE	PZ	1
34	3226729	FILTER	PZ	1
35	3223629	PRESSURE REDUCTOR	PZ	1
36	3223626	PRESSURE GAUGE	PZ	1

AIR PLANT



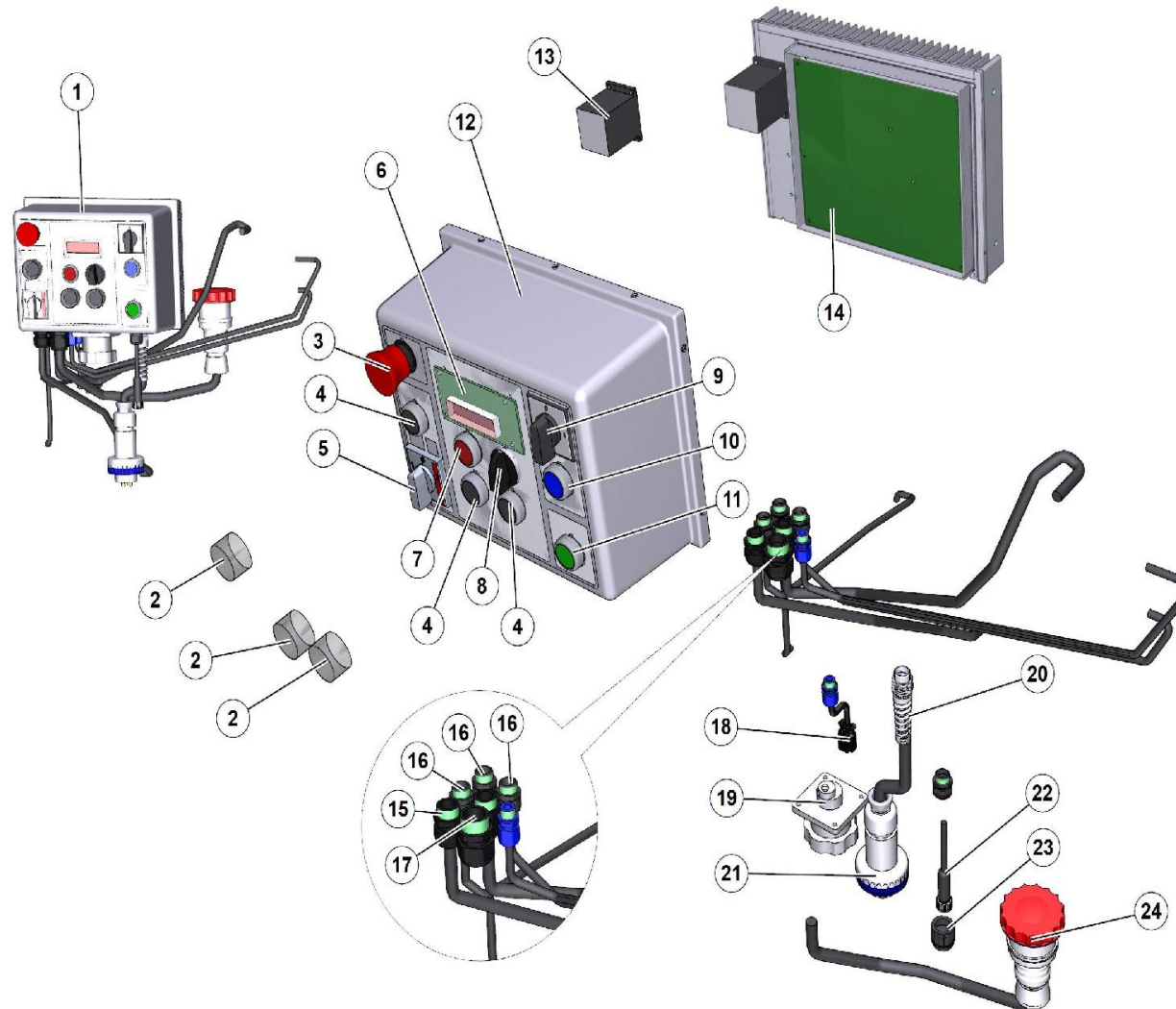


N.	CODE	DESCRIPTION	UM	QTY
1	3238679	AIR GROUP KOINE 3		1
2	3226173	RUBBER HOOD FOR PRESSURE SWITCH	PZ	2
3	3223630	WATER PRESSURE SWITCH	PZ	2
4	3225843	PRESSURE GAUGE	PZ	1
5	3229717	REDUCER	PZ	1
6	3224967	CAP	PZ	2
7	3228353	NIPPLES	PZ	1
8	3224607	REDUCED NIPPLE	PZ	1
9	3238684	BALL VALVE		1
10	3223618	PIPE UNION/SCREW PIPE	PZ	1
11	3238683	CONNECTOR		1
12	3227964	DISTRIBUTOR	PZ	1
13	3223610	CAP	PZ	1
14	3224362	NIPPLE	PZ	2
16	3224360	VALVE/SCREW PUMP	PZ	1
17	3224350	CONNECTOR	PZ	1
18	3223609	REDUCER	PZ	1
19	3238327	CONNECTOR		2
20	3238840	HOSE RILSAN 12/10 L400		1
21	3224382	QUICK COUPLING	PZ	1
22	3238840	HOSE RILSAN 12/10 L400		1



N.	CODE	DESCRIPTION	UM	QTY
25	2224640	WASHER	PZ	1

ELECTRIC PANEL



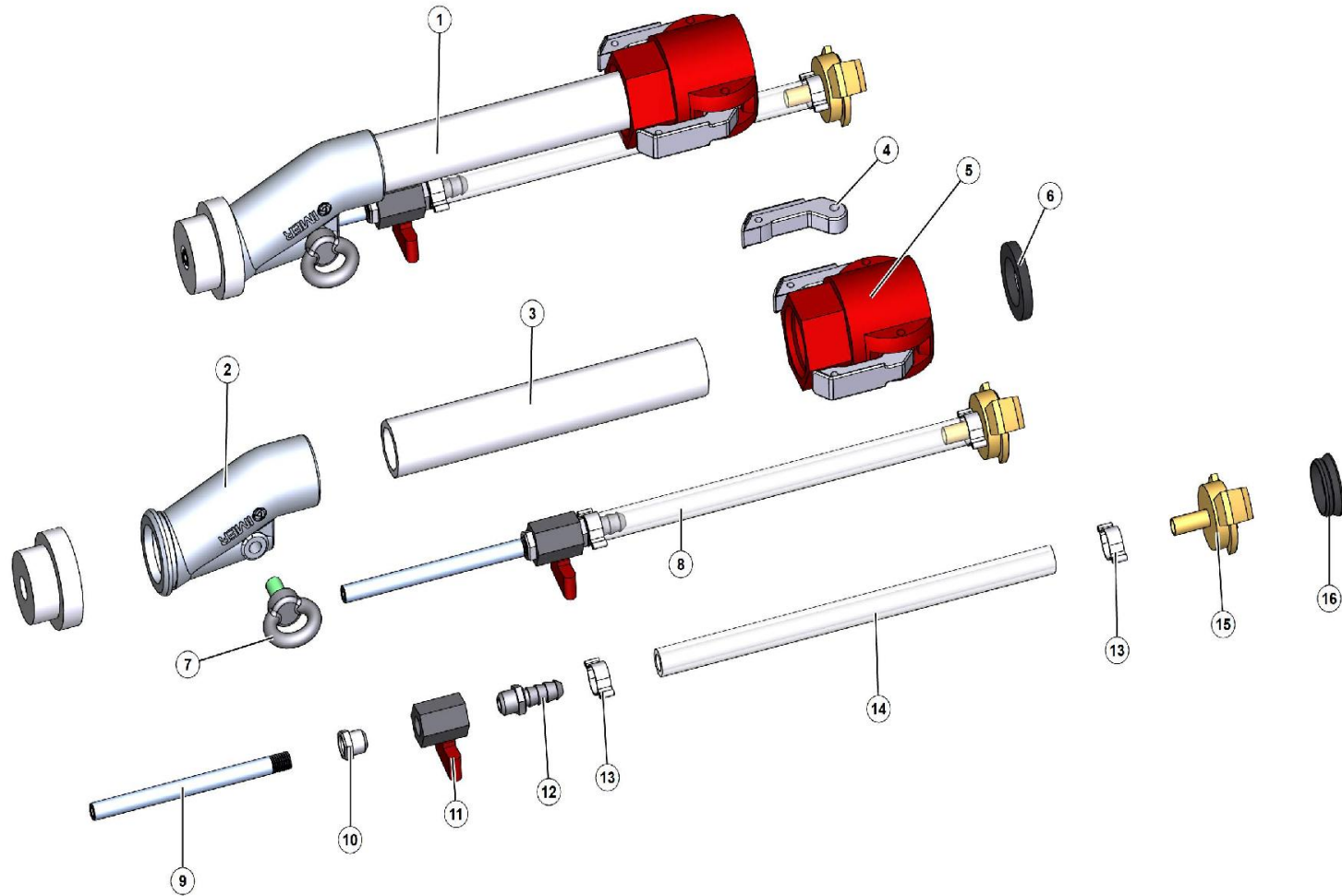


N.	CODE	DESCRIPTION	UM	QTY
1	3238740	ELECTRIC PANEL COMPLETE KOINE 3.1 R2		1
2	3226932	PROTECTION		3
3	3225440	EMERGENCY BUTTON/SCREW PUMP	PZ	1
4	3225437	PUSHBUTTON/SCREW PUMP	PZ	3
5	3238756	SWITCH 3 POLES-3 POSIT. GX1653U LOVATO		1
6	3229742	INVERTER CARD DISPLAY 1002-02	PZ	1
7	3230449	LAMP HOLDER ASSY	PZ	1
8	3230318	SWITCH/SCREW PUMP	PZ	1
9	3237740	THERMAL CUTOUT ACTUATOR	PZ	1
10	3230448	BLUE LAMP HOLDER	PZ	1
11	3230356	BLUE LAMP HOLDER		1
12	3238749	CARDBOARD BOX KOINE 3.1 R2		1
13	3230320	Contactore	PZ	1
14	3239014	BOARD		1
15	3201442	CABLE CLAMP/SAW	PZ	1
16	3201217	CABLE CLAMP	PZ	4
17	3201503	CABLE CLAMP	PZ	1
18	3239015	SUPERSEAL 4 PIN WITH PLUG		1
19	3230336	COIL		1
20	3213852	CABLE CLAMP	PZ	1
21	3203504	PIN	PZ	1



N.	CODE	DESCRIPTION	UM	QTY
22	3237745	THERMAL CUTOUT ACTUATOR		1
23	3237744	THERMAL CUTOUT ACTUATOR		1
24	3238755	SOCKET 6P+T 16A IP67 6H 380-415V		1

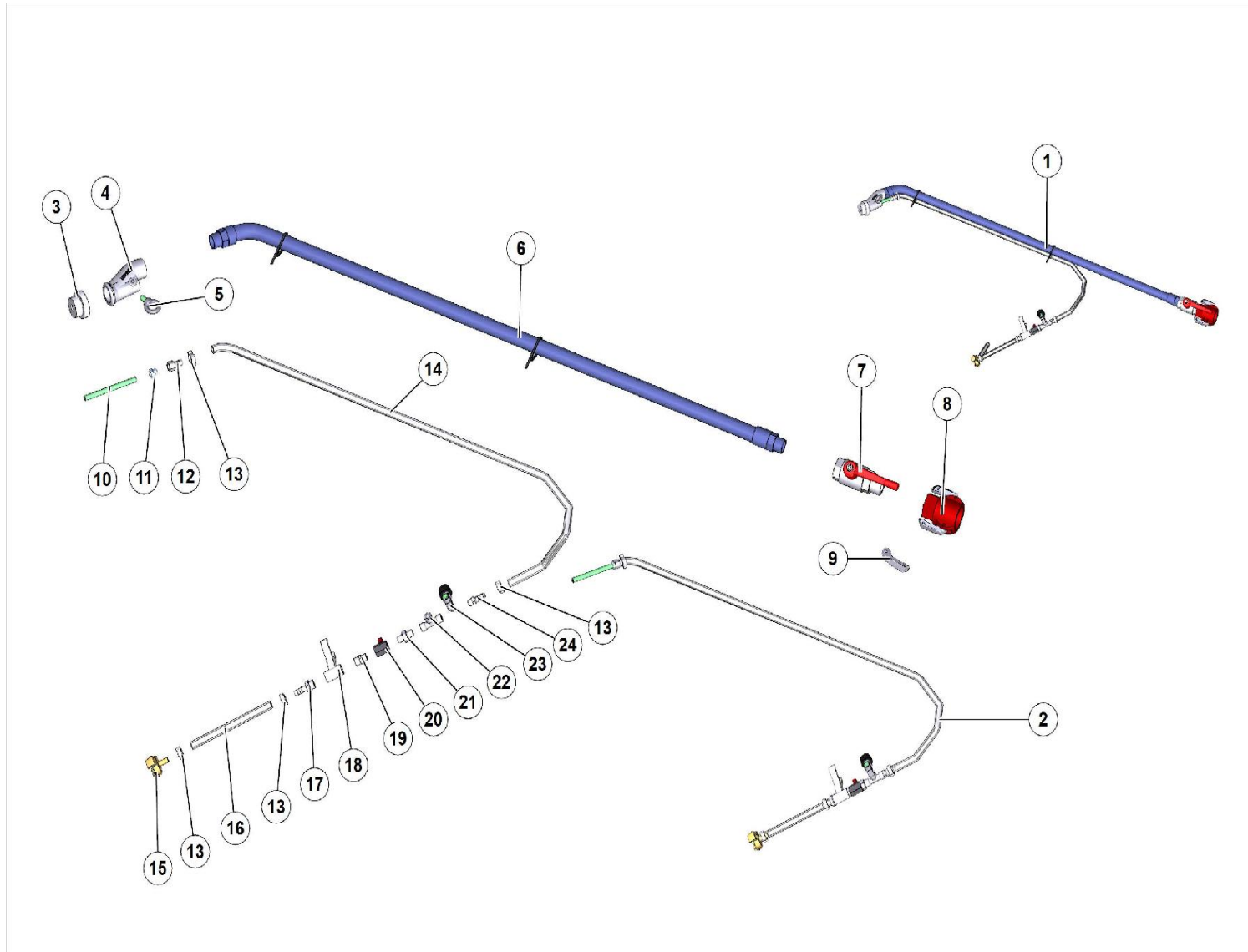
SPRAY GUN DN 25





N.	CODE	DESCRIPTION	UM	QTY
1	1107540	Spray gun Koine		1
2	3223345	SPRAYJET HEAD/SCREW PUMP	PZ	1
3	3223348	TUBE	PZ	1
4	3224498	HANDLE/MORTAR PUMP	PZ	1
5	3224701	CAM COUPLING/SCREW PUMP	PZ	1
6	3224830	GASKET/MORTAR PUMP	PZ	1
7	3209356	EYE-BOLT/MORTAR PUMP	PZ	1
8	3225598	AIR HOSE/SCREW PUMP	PZ	1
9	3223350	AIR PIPE L = 130	PZ	1
10	3227954	REDUCER	PZ	1
11	3227953	VALVE/SCREW PUMP	PZ	1
12	3227955	'HOSE HOLDER M.1 / 4 "X12 BRASS'	PZ	1
13	3224823	RING CLAMPS	PZ	2
14	2292365	LINE/SAW	M	1
15	3224818	QUICK COUPLING WITH RUBBER HOSE D.10	PZ	1
16	3223697	GASKET/MORTAR PUMP	PZ	1

SPRAY GUN DN25



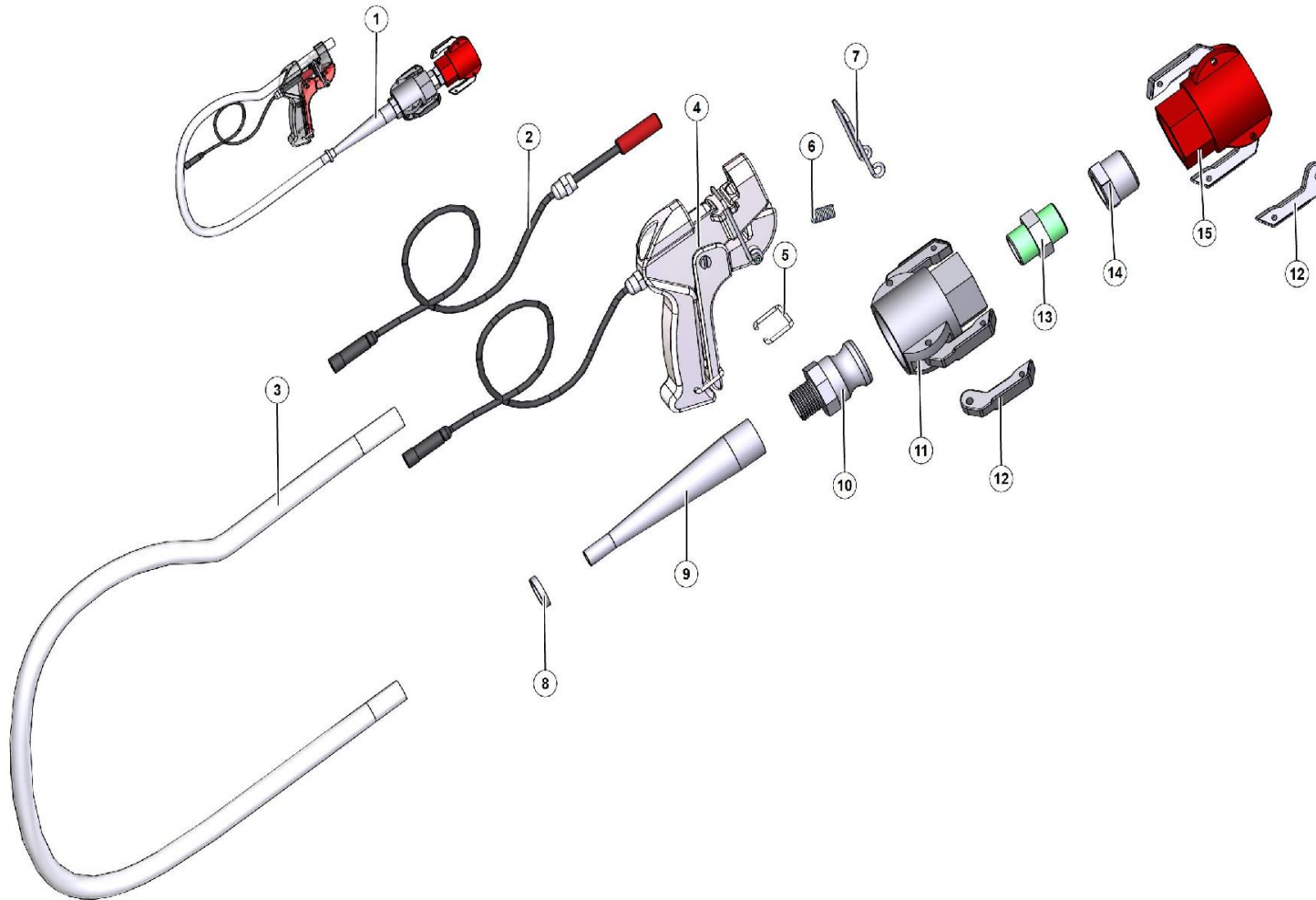


N.	CODE	DESCRIPTION	UM	QTY
1	1107549	Fire-proof spray gun		1
2	3226421	AIR HOSE		1
3	1107553	10 pces deflectors kit d. 14		1
4	3223345	SPRAYJET HEAD/SCREW PUMP	PZ	1
5	3209356	EYE-BOLT/MORTAR PUMP	PZ	1
6	3229626	EXTENSION	PZ	1
7	3225833	VALVE/MORTAR PUMP	PZ	1
8	3224701	CAM COUPLING/SCREW PUMP	PZ	1
9	3224498	HANDLE/MORTAR PUMP	PZ	2
10	3223350	AIR PIPE L = 130	PZ	1
11	3227954	REDUCER	PZ	1
12	3228674	RUBBER HOLDER	PZ	1
13	3224823	RING CLAMPS	PZ	4
14	2292365	LINE/SAW	M	1
15	3224818	QUICK COUPLING WITH RUBBER HOSE D.10	PZ	1
16	2292365	LINE/SAW	M	1
17	3228354	'HOSE HOLDER M.3 / 8 "X12 BRASS'	PZ	1
18	3223344	'RING FITTING WITH THREAD 3/8 "F.'	PZ	1
19	3228353	NIPPLES	PZ	1
20	3227953	VALVE/SCREW PUMP	PZ	1
21	3225186	NIPPLES		1



N.	CODE	DESCRIPTION	UM	QTY
22	3224968	COUPLING	PZ	1
23	3224496	VALVE/SCREW PUMP	PZ	1
24	3227955	'HOSE HOLDER M.1 / 4 "X12 BRASS'	PZ	1

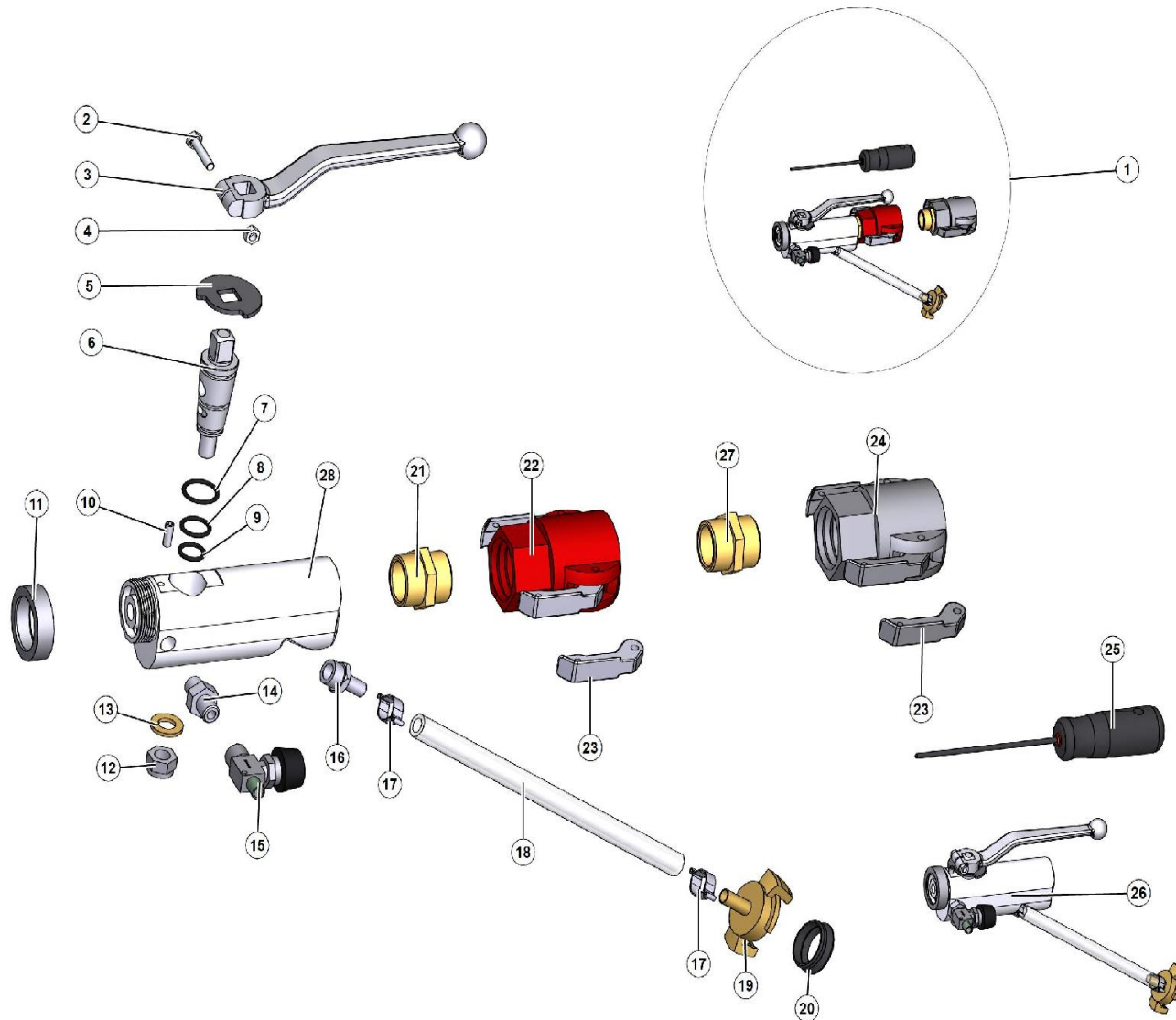
SPACER FILLER GUN DN25





N.	CODE	DESCRIPTION	UM	QTY
1	1108006			1
2	3229817	SENSOR		1
3	3230154	TUBE		1
4	3239086			1
5	3229812	SPRING		1
6	3229816	SPRING		1
7	3229813	SPRING		1
8	3225073	CLAMP	PZ	1
9	3230121	CONICAL FITTING	PZ	1
10	3224328	CAM COUPLING	PZ	1
11	3224706	CAM COUPLING/SCREW PUMP	PZ	1
12	3224498	HANDLE/MORTAR PUMP	PZ	4
13	3225620	NIPPLES	PZ	1
14	3223608	REDUCER	PZ	1
15	3224701	CAM COUPLING/SCREW PUMP	PZ	1

SPRAY GUN FINISHING COAT



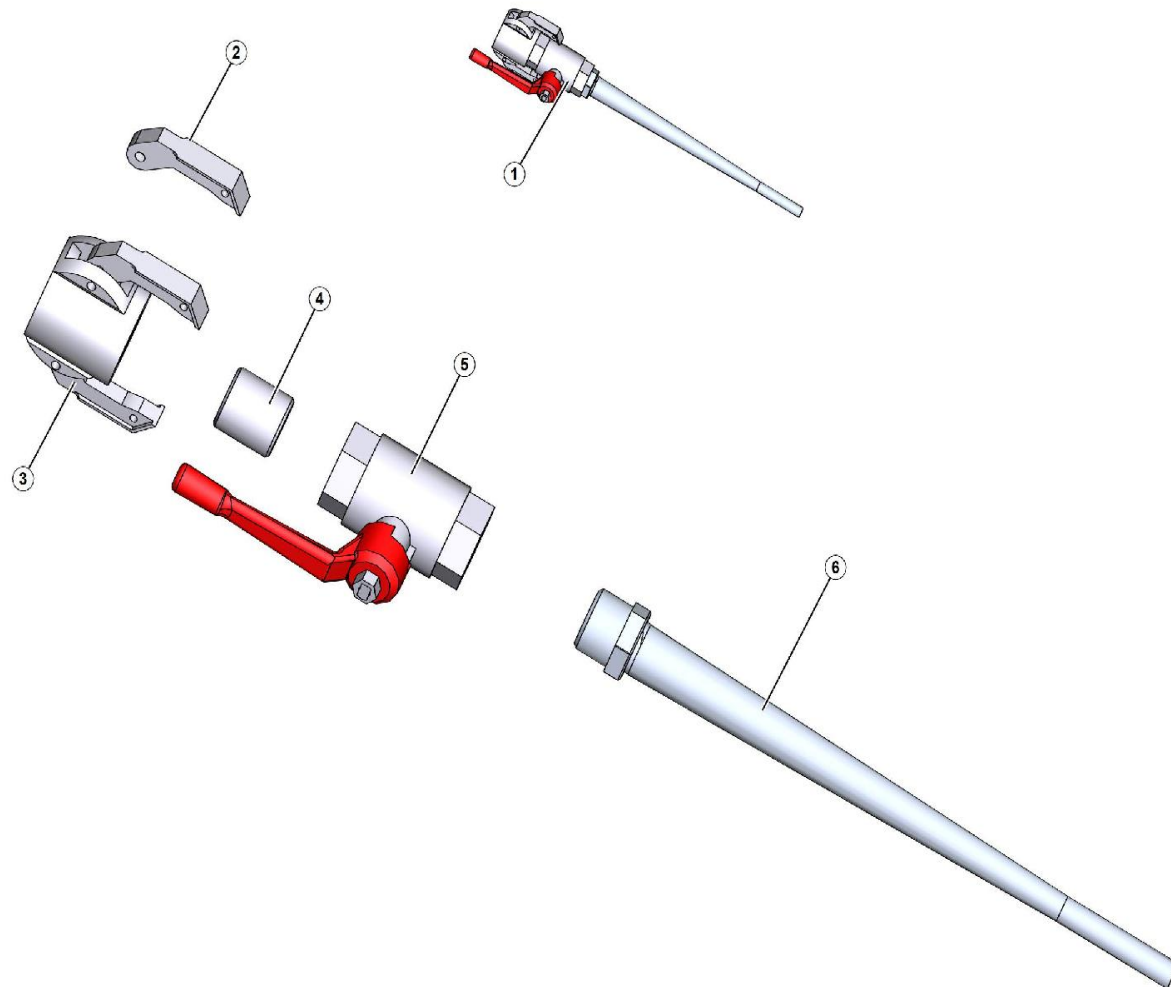


N.	CODE	DESCRIPTION	UM	QTY
1	1107011	Spray gun Small 50		1
2	2222022	SCREW	PZ	1
3	3223918	HANDLE	PZ	1
4	2223280	NUT	PZ	1
5	3224280	WASHER		1
6	3224281	CONE		1
7	3239003	STOP RING		1
8	2227067	STOP RING	PZ	1
9	3239002	STOP RING		1
10	3207673	GRUB SCREW	PZ	1
11	3224277	RING/SCREW PUMP	PZ	1
12	2223921	NUT	PZ	1
13	2224380	WASHER/SAW	PZ	1
14	3225186	NIPPLES		1
15	3224496	VALVE/SCREW PUMP	PZ	1
16	3224817	'HOSE HOLDER M. 3/8 "X10 BRASS'		1
17	3224823	RING CLAMPS	PZ	2
18	2292365	LINE/SAW	M	1
19	3224818	QUICK COUPLING WITH RUBBER HOSE D.10	PZ	1
20	3223697	GASKET/MORTAR PUMP	PZ	1
21	3224956	NIPPLES/SCREW PUMP	PZ	1



N.	CODE	DESCRIPTION	UM	QTY
22	3224701	CAM COUPLING/SCREW PUMP	PZ	1
23	3224498	HANDLE/MORTAR PUMP	PZ	2
24	3224706	CAM COUPLING/SCREW PUMP	PZ	1
25	3223694	NOZZLE CLEANER/SCREW PUMP	PZ	1
26	3224301	SPRAY JET	PZ	1
27	3224707	REDUCTION NIPPLES/SCREW PUMP	PZ	1
28	3224276	SMALL50 SPRAY GUN BODY	PZ	1

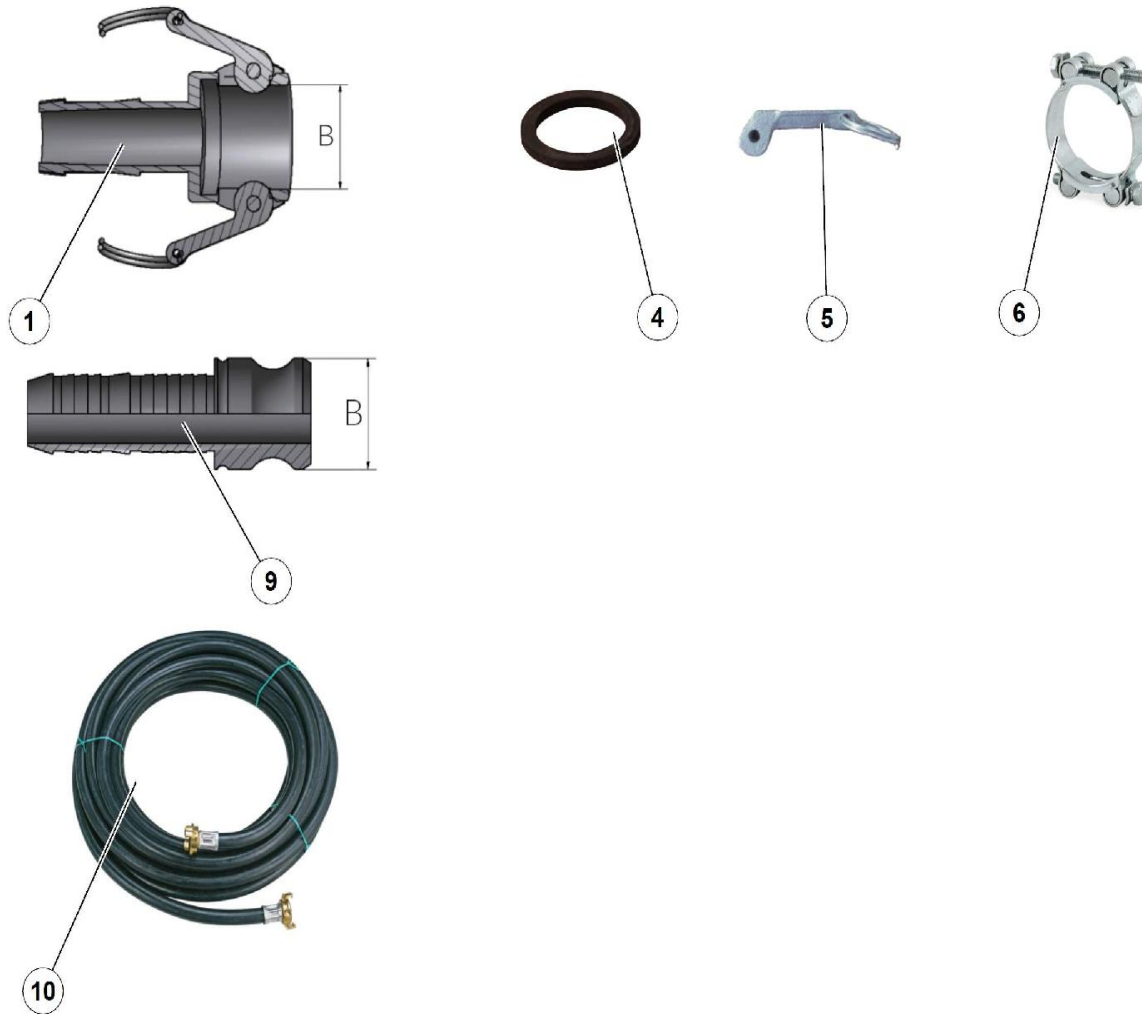
CONICAL TUBE GUN FOR SPACING DN 25





N.	CODE	DESCRIPTION	UM	QTY
1	1107499	Spray gun for spacing - hose diam 25		1
2	3224498	HANDLE/MORTAR PUMP	PZ	2
3	3224709	CAM COUPLING/SCREW PUMP	PZ	1
4	3224703	BRANCH	PZ	1
5	3223865	BALL VALVE	PZ	1
6	3235933	CONICAL FITTING GUN FOR ESCAPES	PZ	1

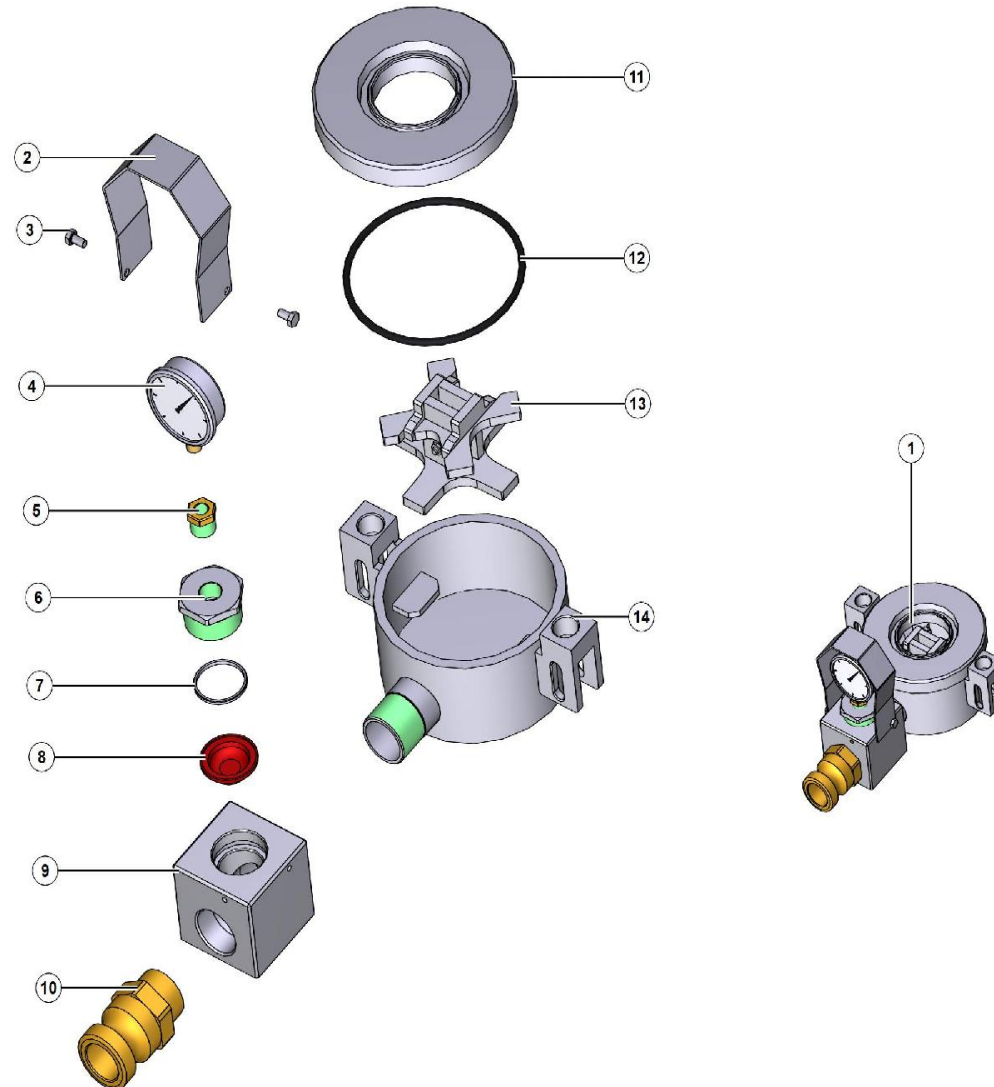
HOSES AND COUPLINGS





N.	CODE	DESCRIPTION	UM	QTY
1	3225934	CAMLOCK COUPLING DN 27 F	PZ	1
4	3224830	GASKET/MORTAR PUMP	PZ	1
5	3224498	HANDLE/MORTAR PUMP	PZ	1
6	3225943	HOSE CLAMP/SCREW PUMP	PZ	1
9	3225933	CAMLOCK COUPLING	PZ	1
10	3224546	WATER HOSE	PZ	1

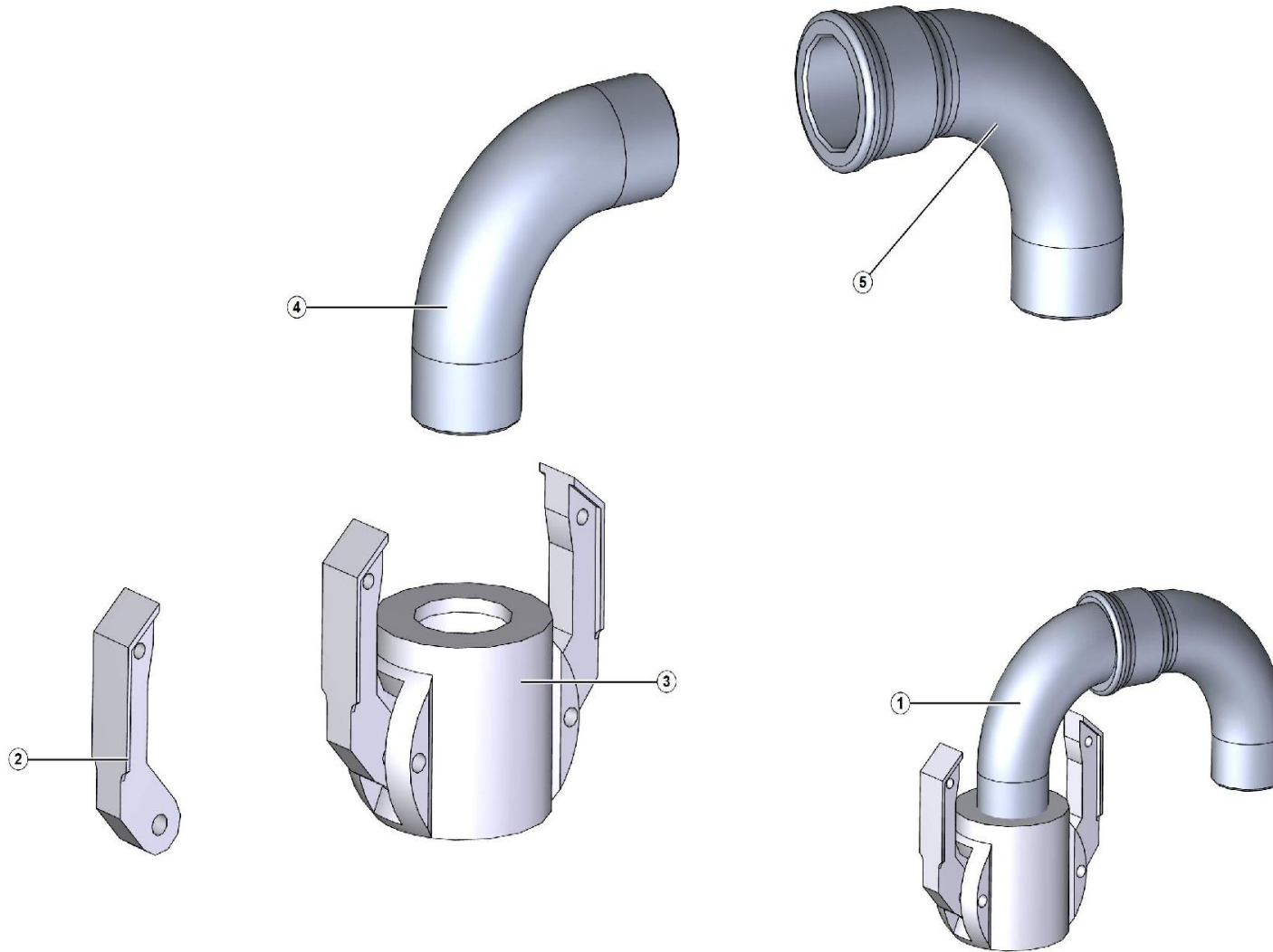
TURBO MIXER FOR STATOR "D"





N.	CODE	DESCRIPTION	UM	QTY
1	1107517	KOINE 4/5 TURBO MIXER 'D' SERIES		1
2	3236056	GUARD	PZ	1
3	1222004	1222004 BOLT		2
4	3223689	MANOMETER/SCREW PUMP	PZ	1
5	3223609	REDUCER	PZ	1
6	3224173	REDUCTION	PZ	1
7	3225902	SPACER/SCREW PUMP	PZ	1
8	3223392	MANOMETER'S MEMBRANE/MORTAR PUMP	PZ	1
9	3236057	GUARD	PZ	1
10	3223703	'CAM CONNECTION DN35 M-1 "1/4" G M'	PZ	1
11	3224158	ZINC TURBOMIXER BASIC CAP	PZ	1
12	3224329	RING OR 8-215 D.139.7X5.34	PZ	1
13	3237380	TURBOMIXER	PZ	1
14	3223794	KOINE TURBOMIXER BASE	PZ	1

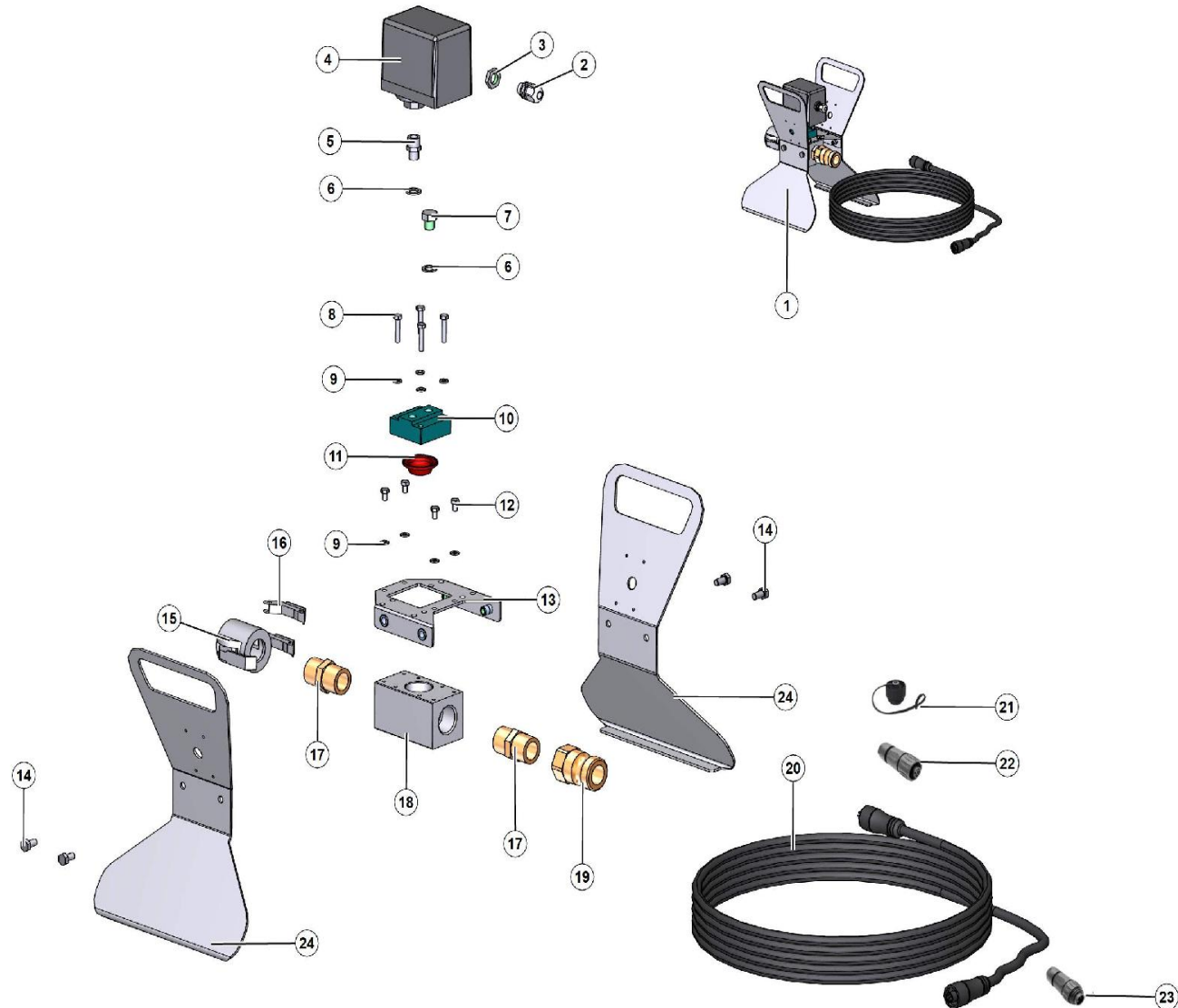
U-SHAPED STEEL PIPE DN25





N.	CODE	DESCRIPTION	UM	QTY
1	1107570	Nozzle IM 35		1
2	3224498	HANDLE/MORTAR PUMP	PZ	1
3	3224709	CAM COUPLING/SCREW PUMP	PZ	1
4	3226426	'WIDE RANGE CURVE 90° 1" M.M.'		1
5	3226424	'WIDE RANGE CURVE 90° 1" M.F.'		1

PRESSURE METER CONTROL UNIT FOR ELECTRIC PANEL A1





N.	CODE	DESCRIPTION	UM	QTY
1	1108007	Pressure meter unit+press.switch		1
2	3227508	CABLE CLAMP/SAW	PZ	1
3	3227487	CABLE GLAND NUT/SAW	PZ	1
4	3224766	PRESSURE SWITCH	PZ	1
5	3228353	NIPPLES	PZ	1
6	3251845	ROLLER/MORTAR PUMP	PZ	2
7	3225126	'CAP 1/4 "M. CYLINDER. SV60 °'	PZ	1
8	2222022	SCREW	PZ	4
9	2224530	ROLLER/MN	PZ	8
10	3237948	PRESSURE GAUGE BLOCK		1
11	3223392	MANOMETER'S MEMBRANE/MORTAR PUMP	PZ	1
12	2222003	SCREW	PZ	4
13	3238113	PRESS GAUGE SUPPORT PLATE		1
14	2222064	SCREW	PZ	4
15	3224709	CAM COUPLING/SCREW PUMP	PZ	1
16	3224498	HANDLE/MORTAR PUMP	PZ	1
17	3224353	NIPPLE	PZ	2
18	3237947	PRESSURE GAUGE BLOCK		1
19	3223721	FIXATION/SCREW PUMP	PZ	1
20	3237667	CABLE		1
21	3237744	THERMAL CUTOUT ACTUATOR		1



N.	CODE	DESCRIPTION	UM	QTY
22	3237745	THERMAL CUTOUT ACTUATOR		1
23	3239197			1
24	3224765	PRESS GAUGE SUPPORT PLATE	PZ	2



Access Platform Division

Via San Francesco d'Assisi, 8 - 46020 Pegognaga (Mantova) - ITALY Tel. +39 0376
554011 - Fax +39 0376 559855

www.imergroup.com

Building Equipment Division

Via della Meccanica, 39 (Zona Industriale Sentino) - 53040 Rapolano Terme
(Siena) - ITALY - Tel. +39 0577 97341 - Fax +39 0577 704077

www.imergroup.com