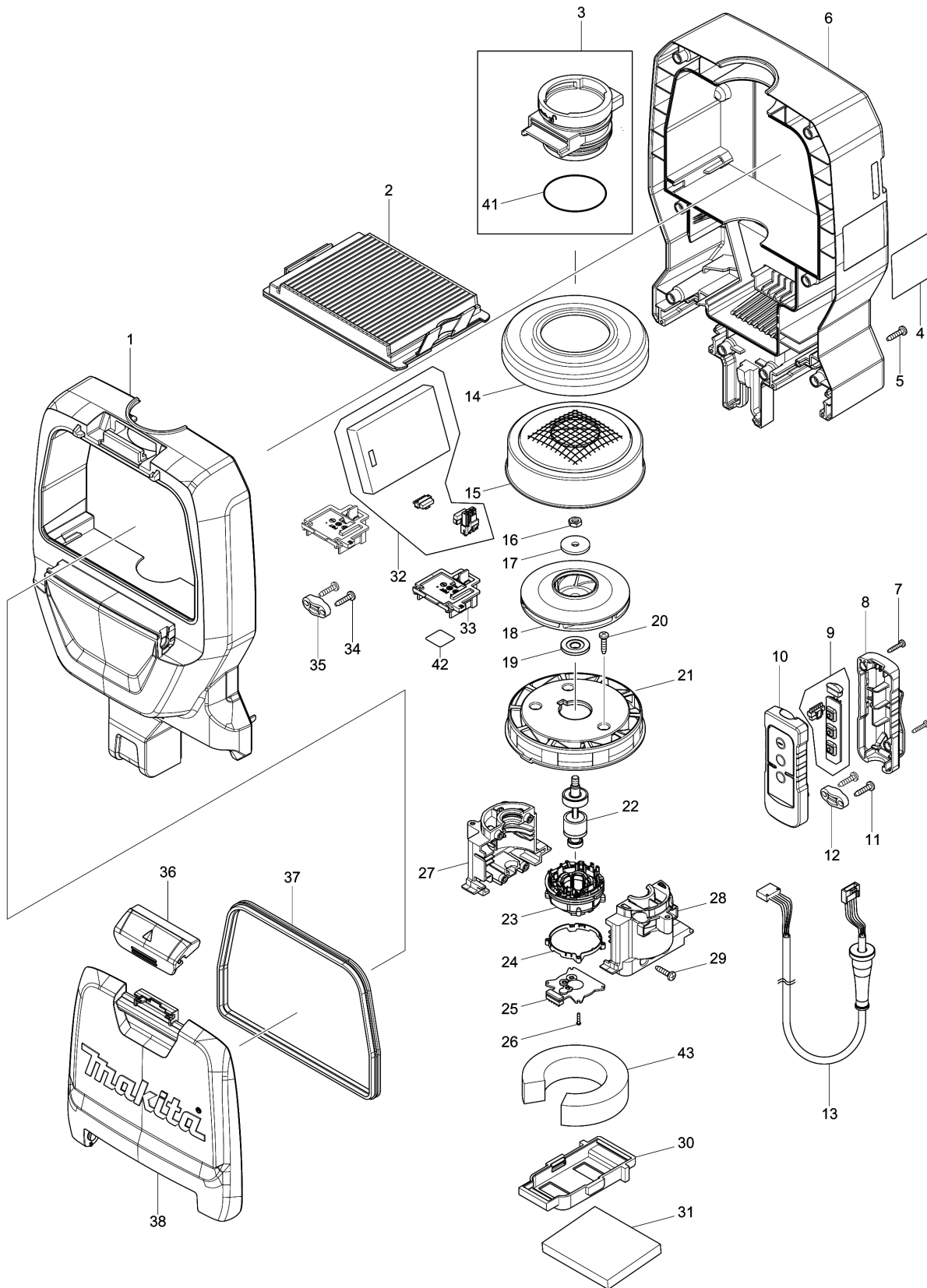
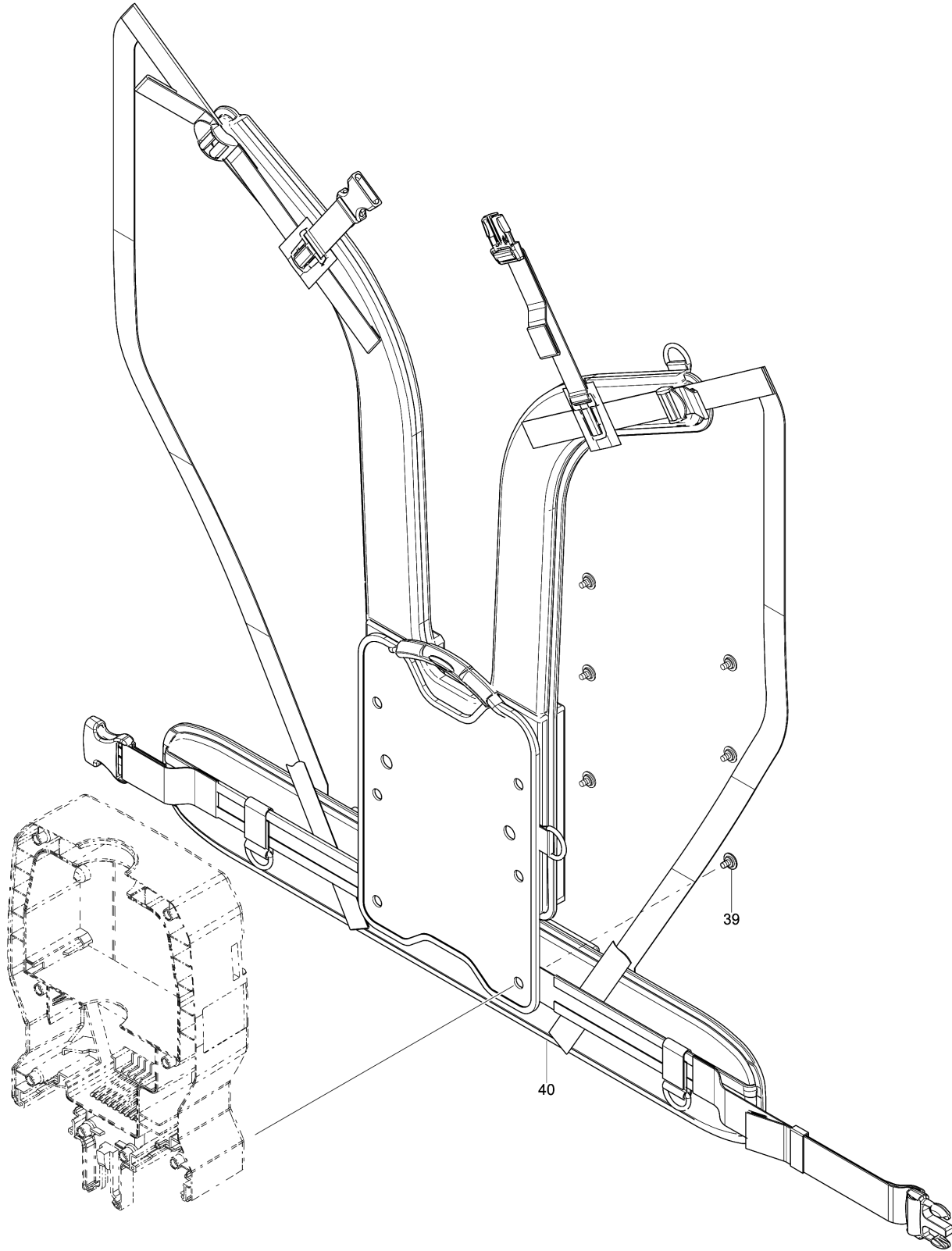


Model No.DVC261 DC BACKPACK VACUUM CLEANER



Model No.DVC261 DC BACKPACK VACUUM CLEANER



Model No.DVC261 DC BACKPACK VACUUM CLEANER

cod	cod piesa	descriere	interschimbare	cantitate	New/Old	optiunea 1	optiunea 2	nota
001	140G16-6	UPPER HOUSING COMPLETE		1				
C10	263005-3	STIFT CAUCIUC 6		4				
C20	422373-5	BAND DAMPER A		1				
002	123636-9	HEPA FILTER ASSEMBLY		1	*			
C10	153820-2	VALVE COMPLETE		1	*			
002-1	127725-2	FILTER ASSEMBLY	O	1				
C10	153820-2	VALVE COMPLETE		1				
003	135771-1	INLET ASS'Y		1				
D10		INC. 41						
004	854Y90-3	DVC261 NAME PLATE		1				
005	266326-2	SURUB AUTOFILETANT 4X18		8				
006	140F61-5	LOWER HOUSING COMPLETE		1				
C10	422374-3	BAND DAMPER B		1				
007	266130-9	SURUB PT 3X16		2				
008	183K74-3	SWITCH CASE SET		1				
C10	818F86-4	SWITCH LABEL		1				
D10		INC. 10						
009	620525-4	SUB CONTROLLER		1				
010	183K74-3	SWITCH CASE SET		1				
C10	818F86-4	SWITCH LABEL		1				
D10		INC. 8						
011	266326-2	SURUB AUTOFILETANT 4X18		2				
012	687123-7	STRAIN RELIEF MT601		1				
013	699077-6	POWER SUPPLY CORD UNIT		1	*			
013-1	699136-6	POWER SUPPLY CORD UNIT	O	1	*			
013-2	699136-6	POWER SUPPLY CORD UNIT	O	1				
014	422376-9	SUPPORT RING		1				
015	161804-6	FAN COVER		1				
016	931303-0	PIULITA M6		1	*			
016-1	252268-6	HEX. NUT M6	O	1				
017	322407-3	WASHER 6		1				
018	241851-4	FAN 94		1				
019	313062-2	FLANGE		1				
020	266326-2	SURUB AUTOFILETANT 4X18		3				
021	456736-3	FAN BASE		1				
022	619517-8	ROTOR		1	*			
022-1	619517-8	ROTOR	O	1				
023	629381-9	STATOR		1				