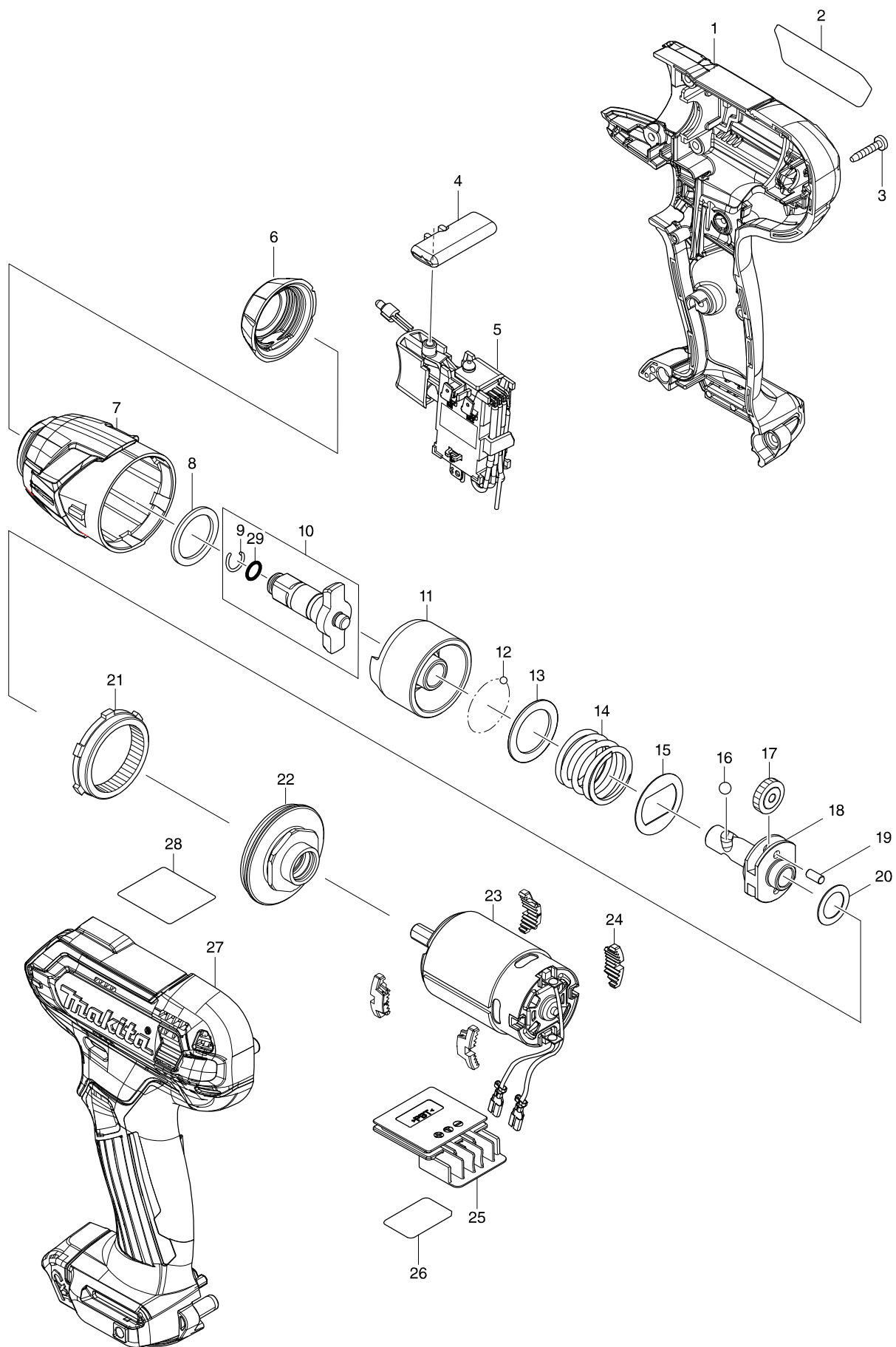


model TW140D CORDLESS IMPACT WRENCH



model TW140D CORDLESS IMPACT WRENCH

pagina 1 / 2

cod	cod piesa	descriere	inters	cantitat	N/O	optiunea 1	optiunea 2	nota
001	183J75-5	HOUSING SET		1				
C10	252126-6	HEX. LOCKING NUT M4-7		2				
D10		INC. 27						
002	854M38-3	TW140D NAME PLATE		1				
003	266429-2	TAPPING SCREW 3X16		8				
004	456039-5	F/R CHANGE LEVER		1				
005	632M05-6	SWITCH UNIT		1				
006	422228-4	BUMPER		1				
007	140B03-5	HAMMER CASE COMPLETE		1				
008	261140-1	NYLON WASHER 20		1				
009	233943-3	RING SPRING 8		1				
010	135932-3	ANVIL ASS'Y		1				
D10		INC. 9,29						
011	324894-2	HAMMER		1				
012	216019-1	STEEL BALL 3		24				
013	267380-9	FLAT WASHER 20		1				
014	234064-4	COMPRESSION SPRING 21		1				
015	267813-4	WASHER 21		1				
016	216002-8	STEEL BALL 4.8		2				
017	226190-3	SPUR GEAR 18		2				
018	327127-4	SPINDLE		1				
019	268217-3	PIN 3.5		2				
020	253052-2	FLAT WASHER 12		1				
021	226191-1	INTERNAL GEAR 45		1				
022	140B04-3	BEARING BOX COMPLETE		1				
C10	213188-9	O-RING 13		1				
023	632L97-9	MOTOR COMPLETE		1				
024	422273-9	CUSHION		4				
025	644813-5	TERMINAL		1				
026	854M45-6	TW140D SERIAL NO. LABEL		1				
027	183J75-5	HOUSING SET		1				
C10	252126-6	HEX. LOCKING NUT M4-7		2				
D10		INC. 1						
029	213960-9	O RING 5		1				
A01	266622-8	+ TRUSS HEAD SCREW M4X12		1				
A02	346909-5	HOOK		1				
A03B	821661-1	PLASTIC CARRYING CASE		1				
C10	417724-5	LATCH		2				
A03C	821661-1	PLASTIC CARRYING CASE		1				
C10	417724-5	LATCH		2				
A03D	821661-1	PLASTIC CARRYING CASE		1				
C10	417724-5	LATCH		2				
A07B	***DC10WC	DC10WC BATTERY CHARGER		1				
D10		COMPO-PARTS						
A07C	***DC10WC	DC10WC BATTERY CHARGER		1				
D10		COMPO-PARTS						
A07D	***DC10SA	DC10SA BATTERY CHARGER		1				
D10		COMPO-PARTS						

