

PCS-MX10 - For mortar

General view

ref: 9110007000

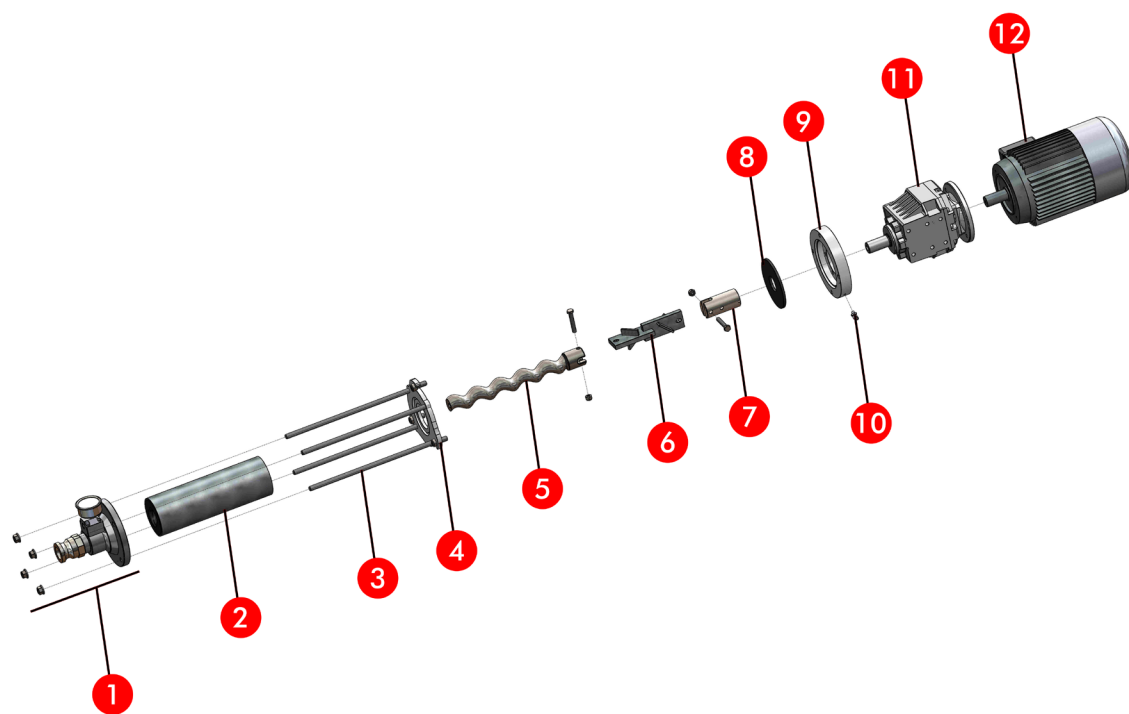


1	3F00300208	WHEEL Ø260/85 MM RUBBER
2	3T00200309	ANTI-VIBRATION FOOT 50X20M10X2
3	701201900A	OPTIMIX 10 TANK
4	7017505000	OPTIMIX 10 INOX PRINTED GRID

PCS-MX10 - For mortar

Mixing group

ref: 9110007000



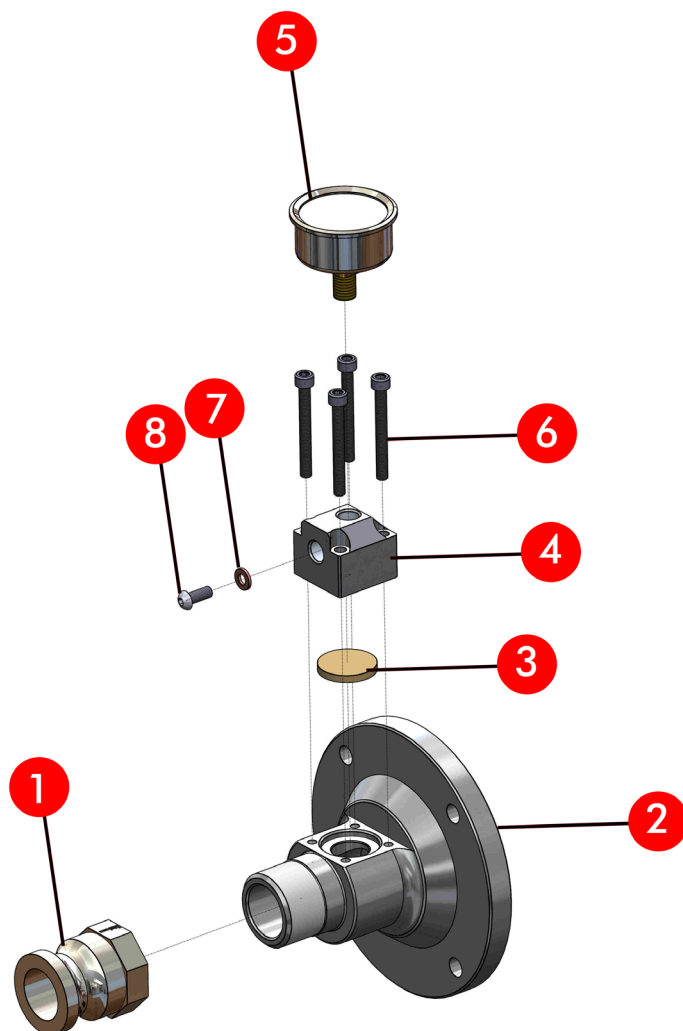
1	8012009000	STATOR HOLDER WITH PRESSURE METER
2	3F00501300	MIXER 26 STRAIGHT STATOR
3	3B03251020	TIE RODS FOR STATOR HOLDER
4	401140290Z	GALVANIZED FLANGE FOR FINISHES FOR OPTIMIX 10
5	7009011900	MIXER 26 ROTOR SLIT AND HOLED HEAD
6	7003028000	GALVANIZED MIXING SHAFT FOR OPTIMIX 10

7	4011401410	MOTOR COUPLING FOR OPTIMIX 10
8	4020002800	SEAL MIXER 35
9	4011401700	REDUCER OUTPUT FLANGE FOR OPTIMIX 10
10	3T01700101	LUBRICATOR M6 STRAIGHT
11	3D00300151	REDUCER FOR OPTIMIX 10
12	3D00200710	THREE-PHASED 2,2 KW MOTOR

PCS-MX10 - For mortar

Output flange

ref: 9110007000

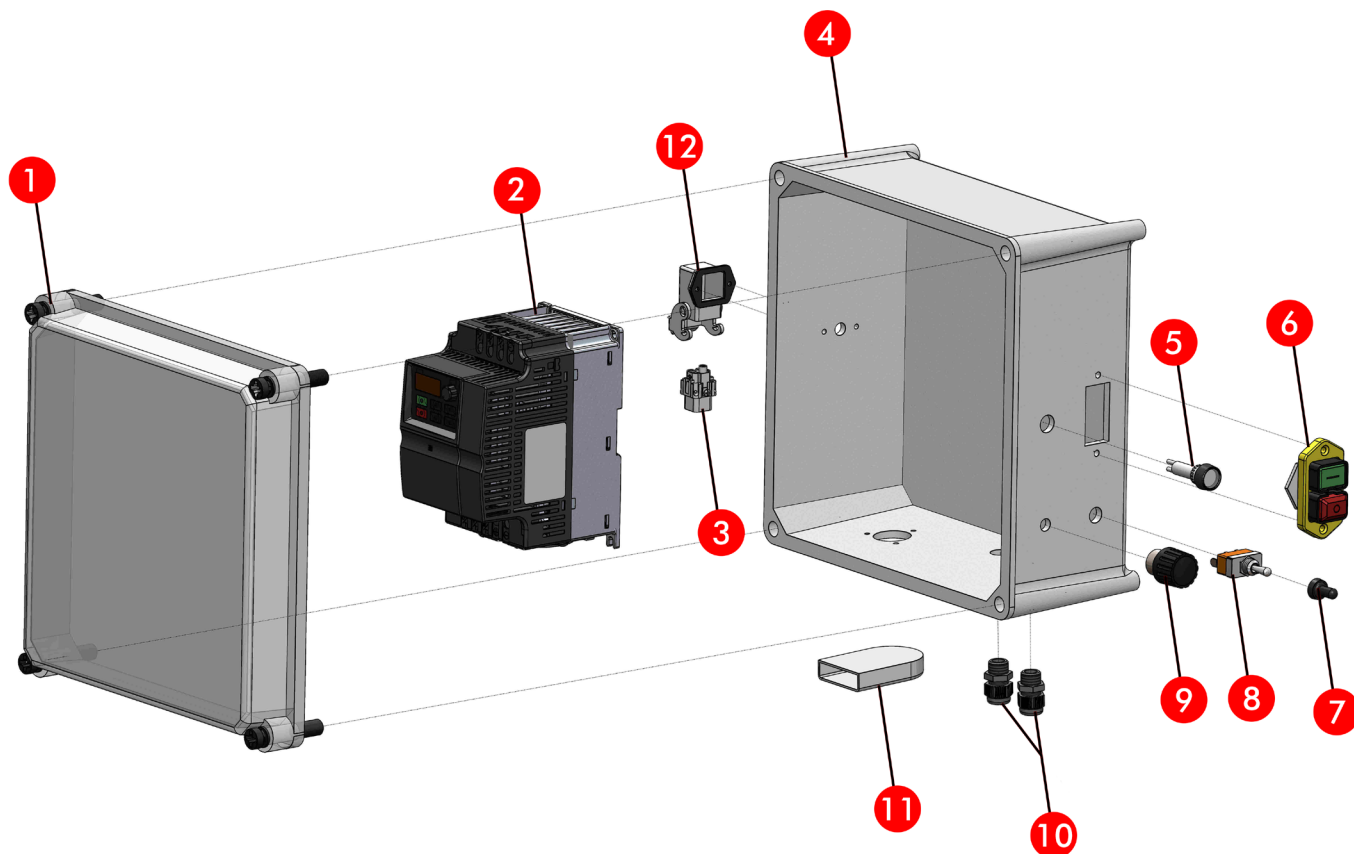


1	3A00300105	MALE CAMELOCK 25X1"1/4
2	EUM10592	OUTPUT FLANGE 1" OPTIMIX 10
3	EU12913	PUMP NOSE MANOMETER MEMBRANE
4	EUM10079	COVER
5	EU80070	AXIAL MANOMETER 1/4"
6	EU90996	6 X 20 INOX CYLINDRICAL HEAD SCREW
7	EU12765	COPPER SEAL FOR PUMP NOSE
8	EU12625	6 X 8 CYLINDRICAL HEAD SCREW

PCS-MX10 - For mortar

Electric panel

ref: 9110007000



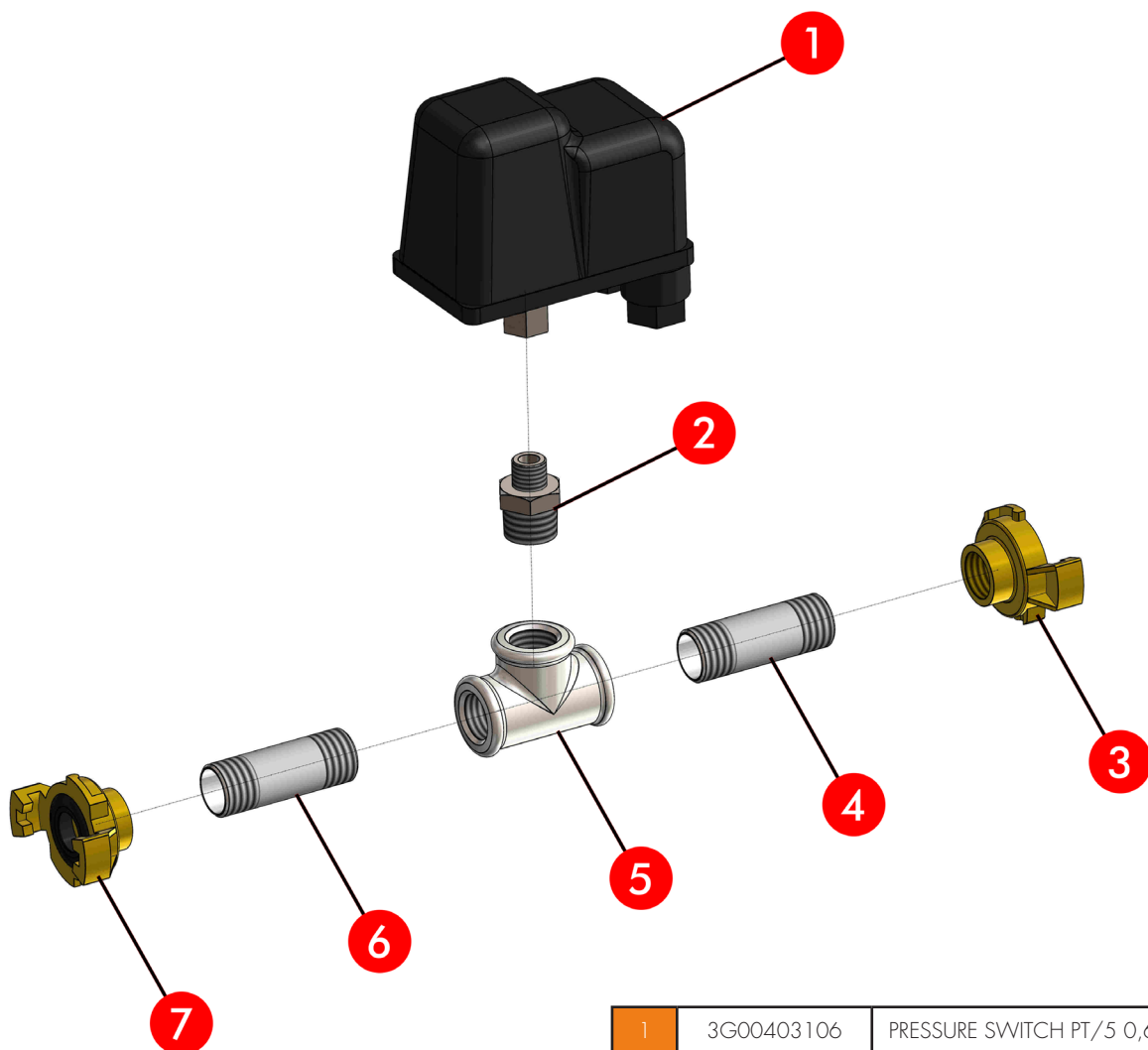
1	3C00110110	PANEL COVER APO 41
2	3C05100160	INVERTER J1000 2,2KW
3	3C02700200	4-PIN + GROUND 10A FEMALE INSERT
4	3C00110401	CLOSED BASE APO 41
5	3C02400900	WHITE LIGHT ALARM 230V SIGNALUX
6	3C01403000	BIPOLAR SWITCH 230V

7	3C02100100	RUBBER PROTECTION FOR SWITCH
8	3C01800800	COMMUTATOR SWITCH 1-0-1 T215 T-A
9	3C00300400	POTENTIOMETER 4,7 K-OHM
10	3C04200202	PG.13.5 ANTI-TEAR CABLE GLAND
11	3C00130101	BASIC VENTILATION KIT APO 71 (2 PE)
12	3C02800500	BEND SOCKET BASE CK03IA

PCS-MX10 - For mortar

Air group

ref: 9110007000



1	3G00403106	PRESSURE SWITCH PT/5 0,6-2 BAR ITALT
2	3G50300702	STEEL REDUCED NIPPLE 1/2X1/4 3 ORC
3	3A00100202	FEMALE GEKA COUPLING 1/2"
4	3G00553006	GALVANIZED EXTENSION SCREW 1/2 X 60
5	3G00513002	GALV. T-JOINT FIG.130 1/2
6	3G00553006	GALVANIZED EXTENSION SCREW 1/2 X 60
7	3A00100202	FEMALE GEKA COUPLING 1/2"